

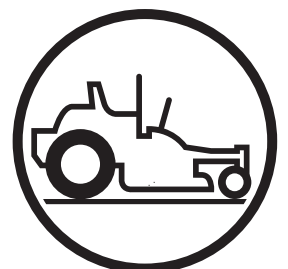
Parts manual

LZ5225TKAA/968999268, LZ6123TLKOA/968999269

LZ6125TKAA/968999270, LZ6127TKOA/968999271

LZ7227TKOA/968999272

Please read the operator's manual carefully and make sure you understand the instructions before using the machine.

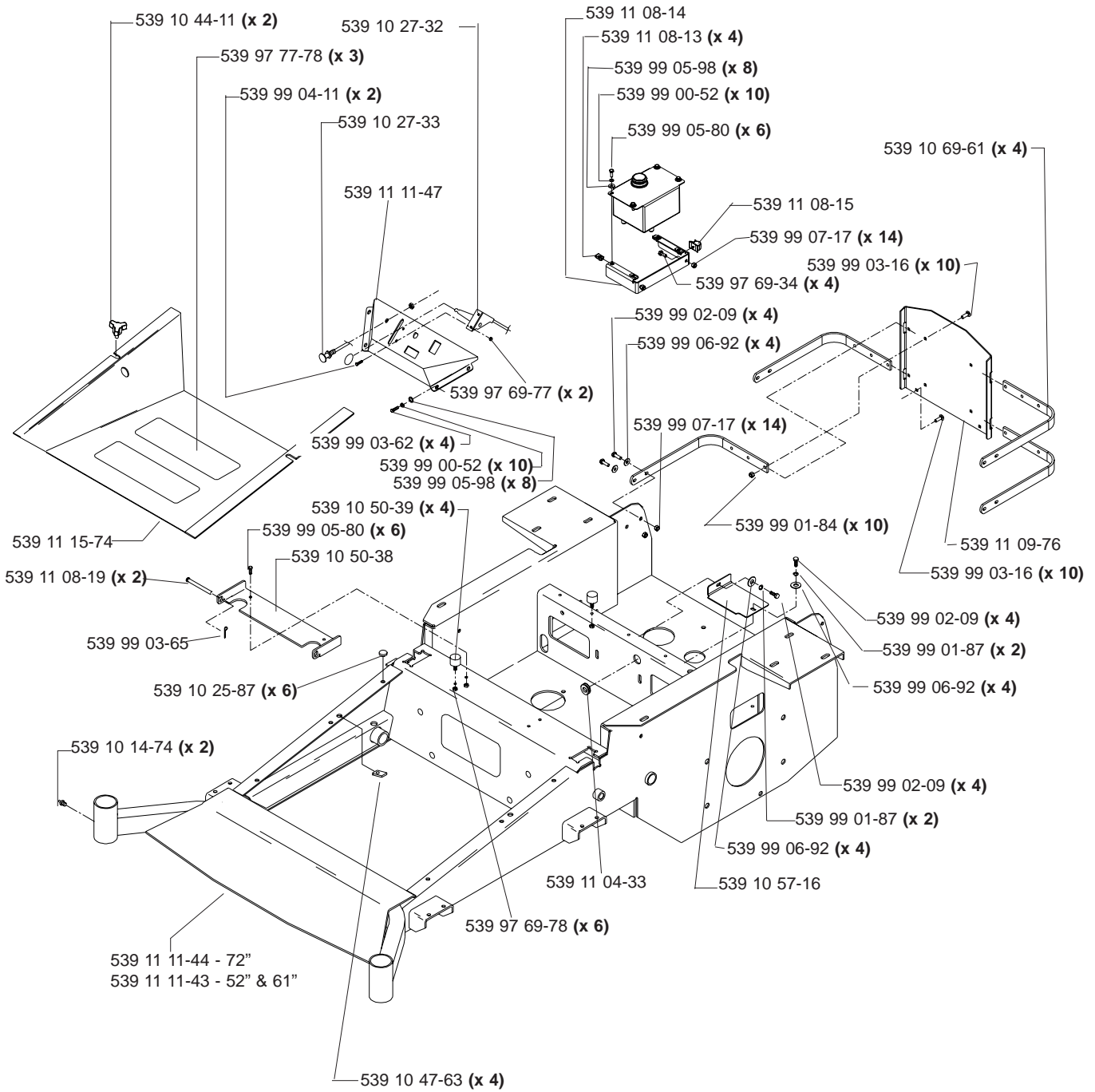


English

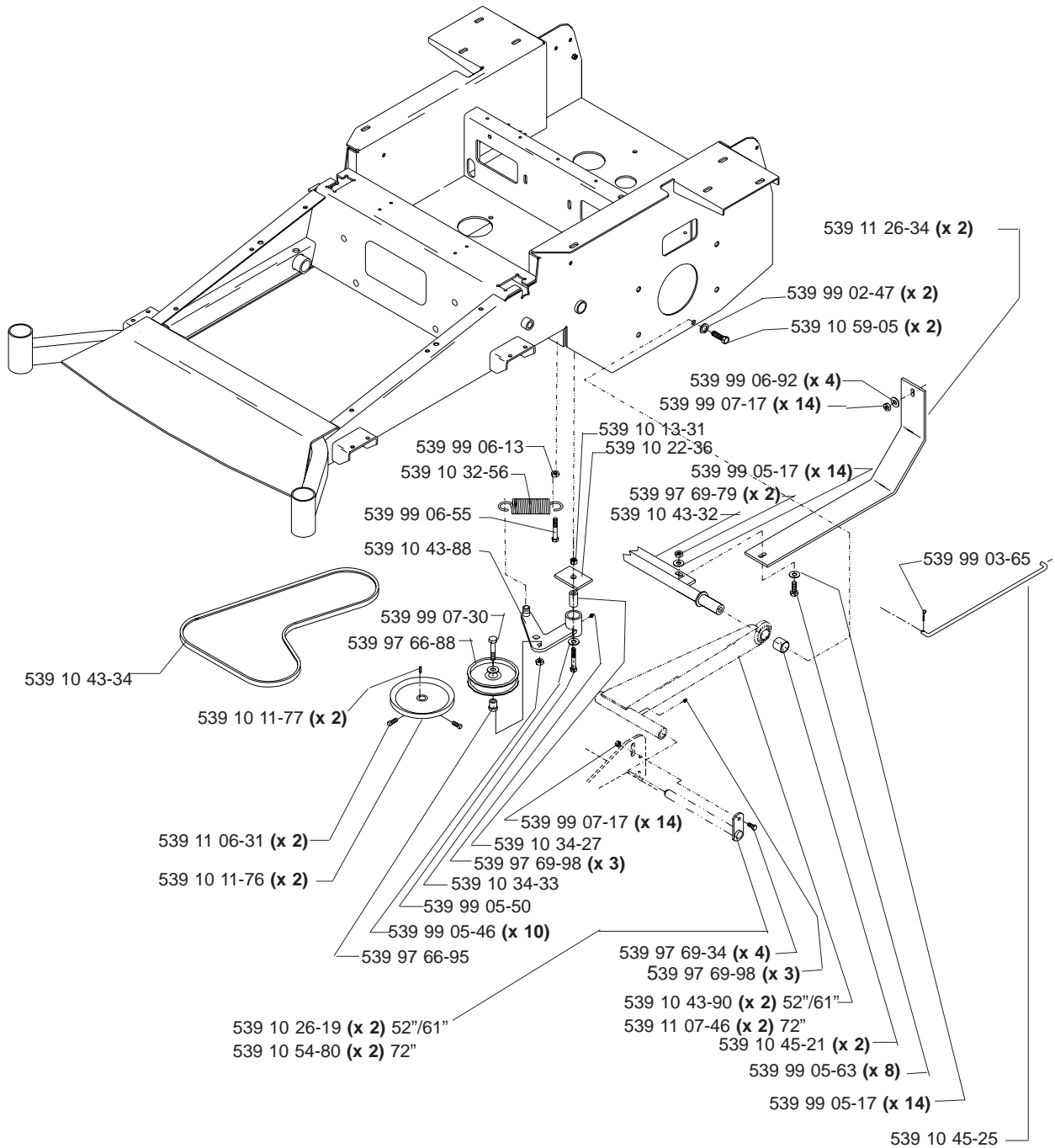
TABLE OF CONTENTS

MAIN FRAME ASSEMBLY	4
KAWASAKI ENGINE ASSEMBLY	6
KOHLER ENGINE ASSEMBLY	7
LIQUID COOL KOHLER ENGINE ASSEMBLY	8
MOTION CONTROL ASSEMBLY	9
DECK LIFT ASSEMBLY	10
PARK BRAKE ASSEMBLY	11
52" FRONT DECK ASSEMBLY	12
61" FRONT DECK ASSEMBLY	14
72" FRONT DECK ASSEMBLY	16
HYDRAULIC SYSTEM ASSEMBLY	18
CASTER ASSEMBLIES	19
FUEL ASSEMBLY	20
SEAT ASSEMBLY	21
WIRING ASSEMBLY	22
ROPS	23
DECAL PLACEMENT ASSEMBLY	24
ACCESSORIES	25
WIRING DIAGRAMS	38
PARTS DESCRIPTION	40

Main Frame Assembly

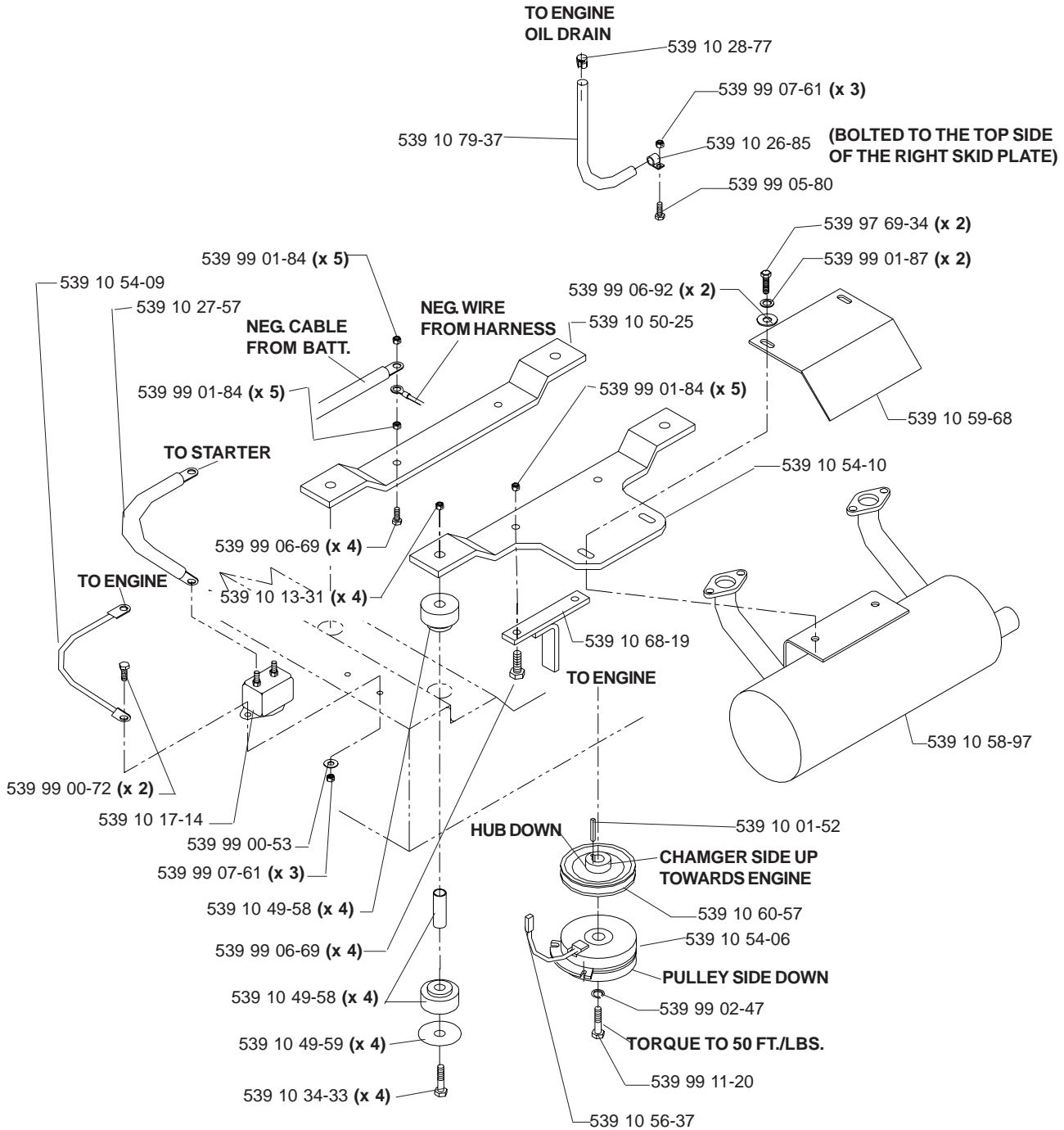


Main Frame Assembly



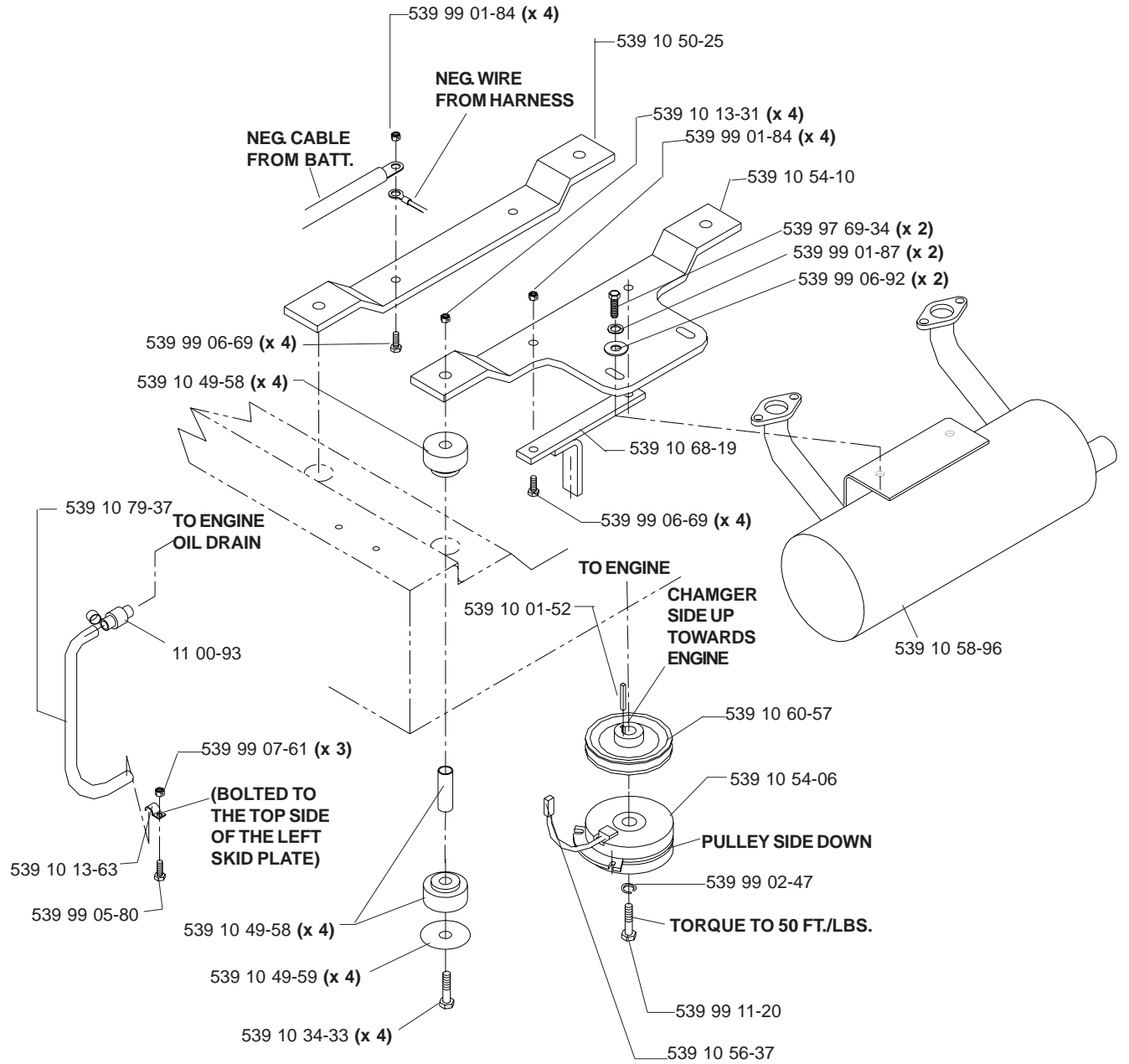
539 10 59-74 (x 3) - RUBBER GROMMET (NOT SHOWN)

Kawasaki Engine Assembly



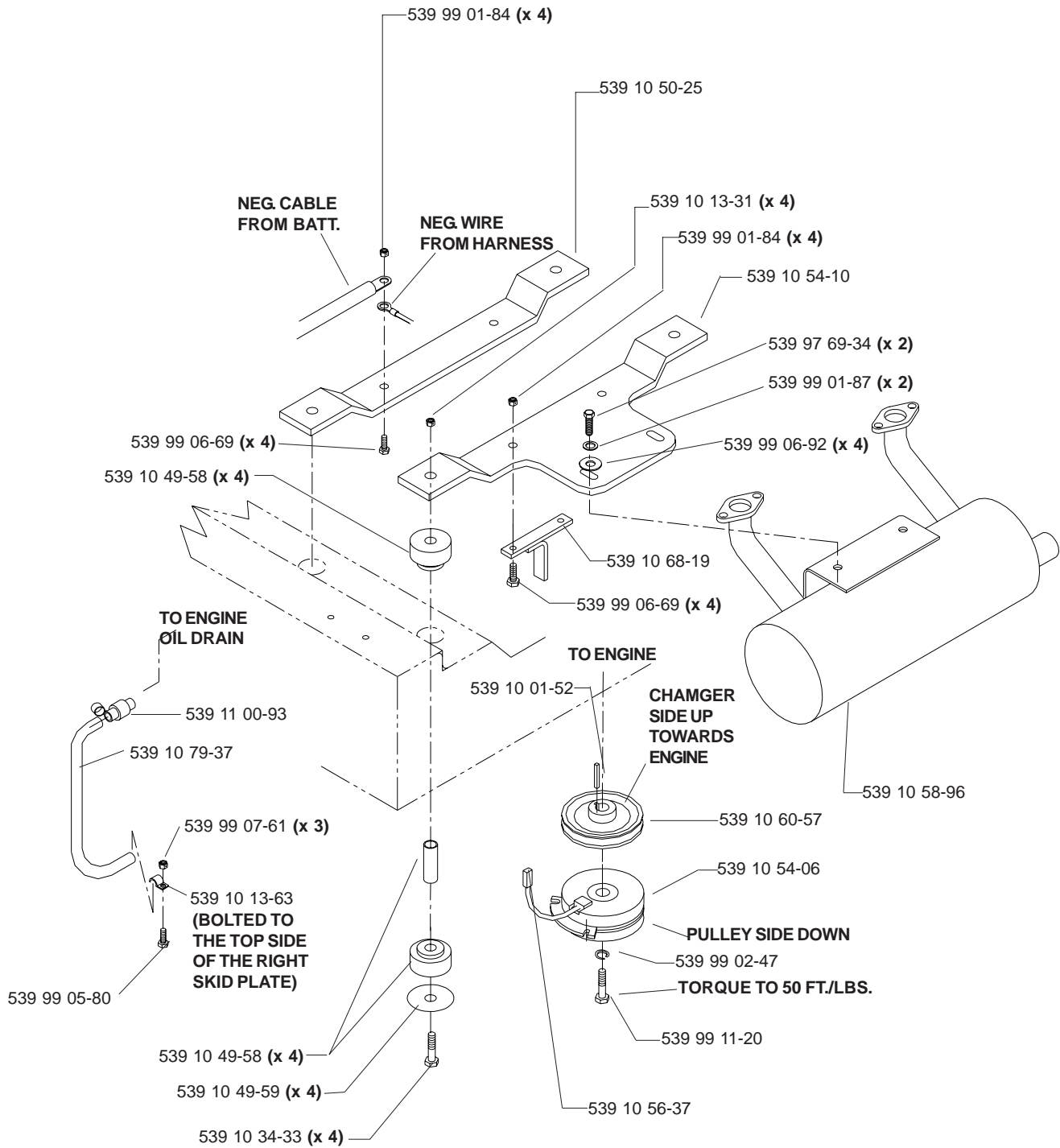
- 539 10 27-33 CHOKER CONTROL (NOT SHOWN)
- 539 10 27-59 (x 2) INSULATOR (NOT SHOWN)
- 539 10 44-15 KAWASAKI PIGTAIL (NOT SHOWN)

Kohler Engine Assembly



539 10 27-33 CHOKE CONTROL (NOT SHOWN)
 539 10 44-16 KOHLER PIGTAIL (NOT SHOWN)

Liquid Cooled Kohler Engine Assembly

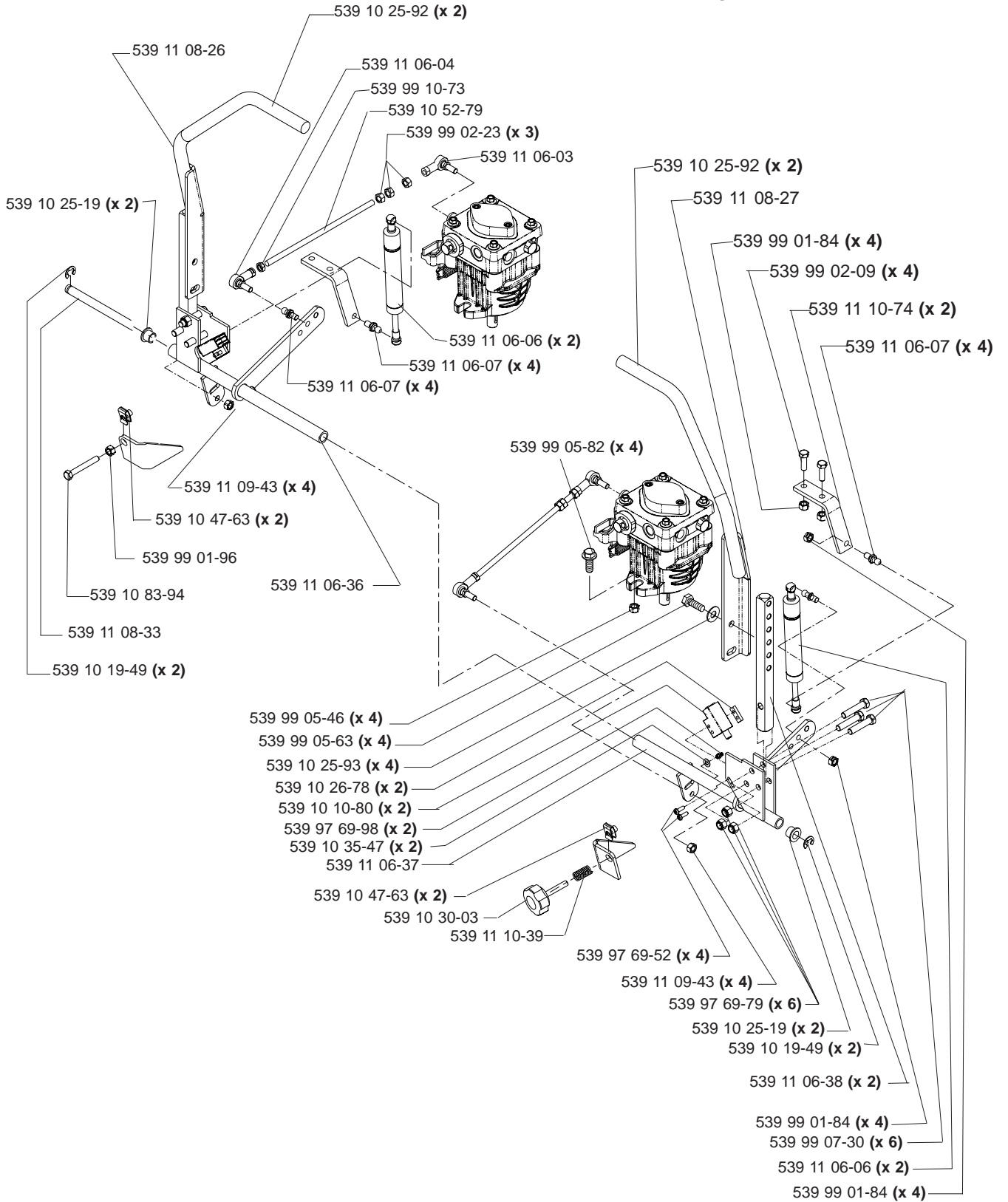


- 539 10 52-46 WATER TEMP. GAUGE
- 539 11 15-81 GAUGE BRACKET
- 539 10 52-47 GAUGE HARNESS
- 539 97 69-37 HCS 5/16 X 2.0
- 539 10 26-85 LOOM CLIP

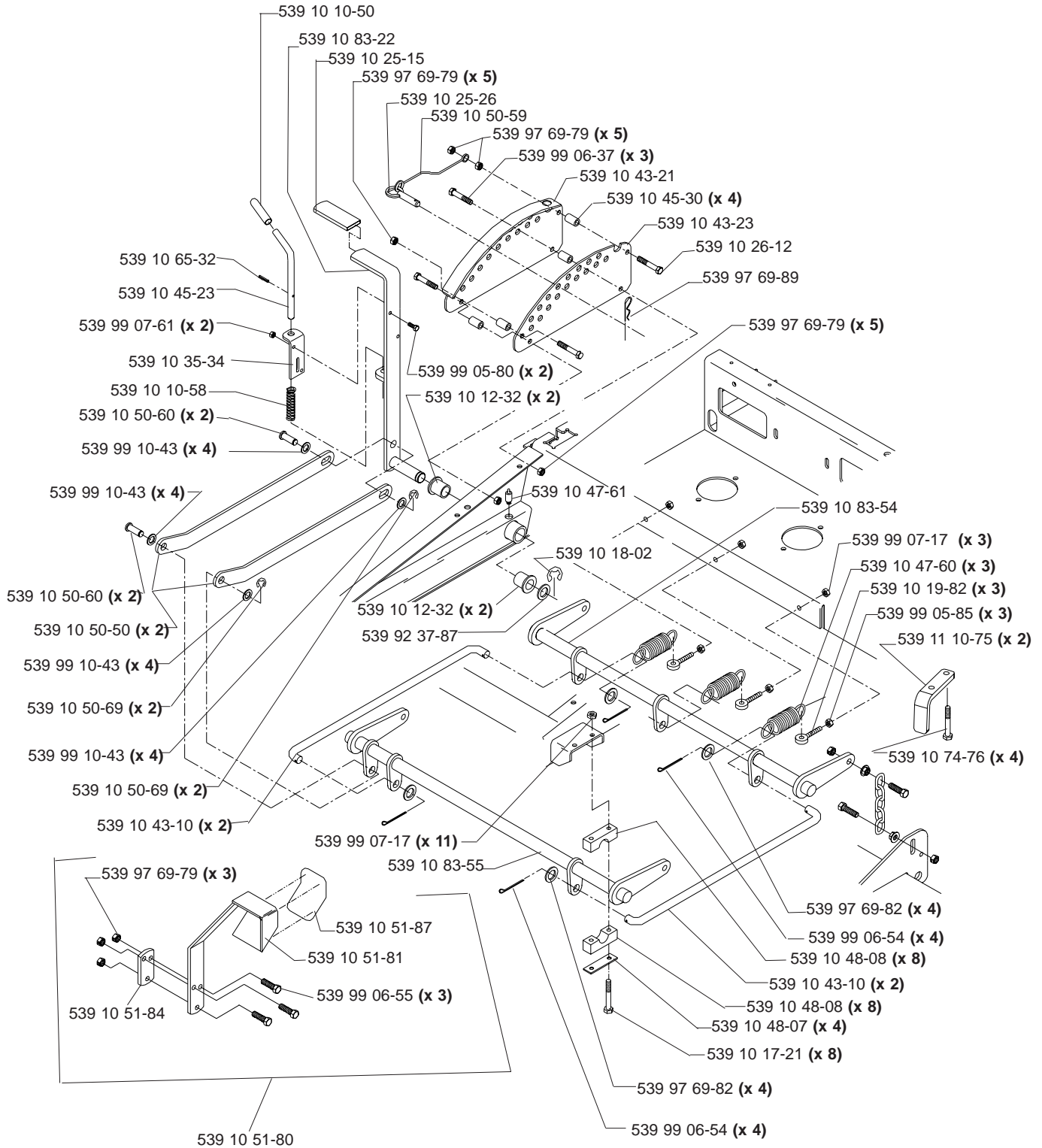
NOT SHOWN. LOCATION OF THESE ITEMS ON THE UNIT ARE AT THE RIGHT SIDE OF THE OPERATORS SEAT MOUNTED TO THE FRAME.

- 539 10 53-00 KOHLER PIGTAIL L/C (NOT SHOWN)
- 539 10 27-33 CHOKE CONTROL (NOT SHOWN)

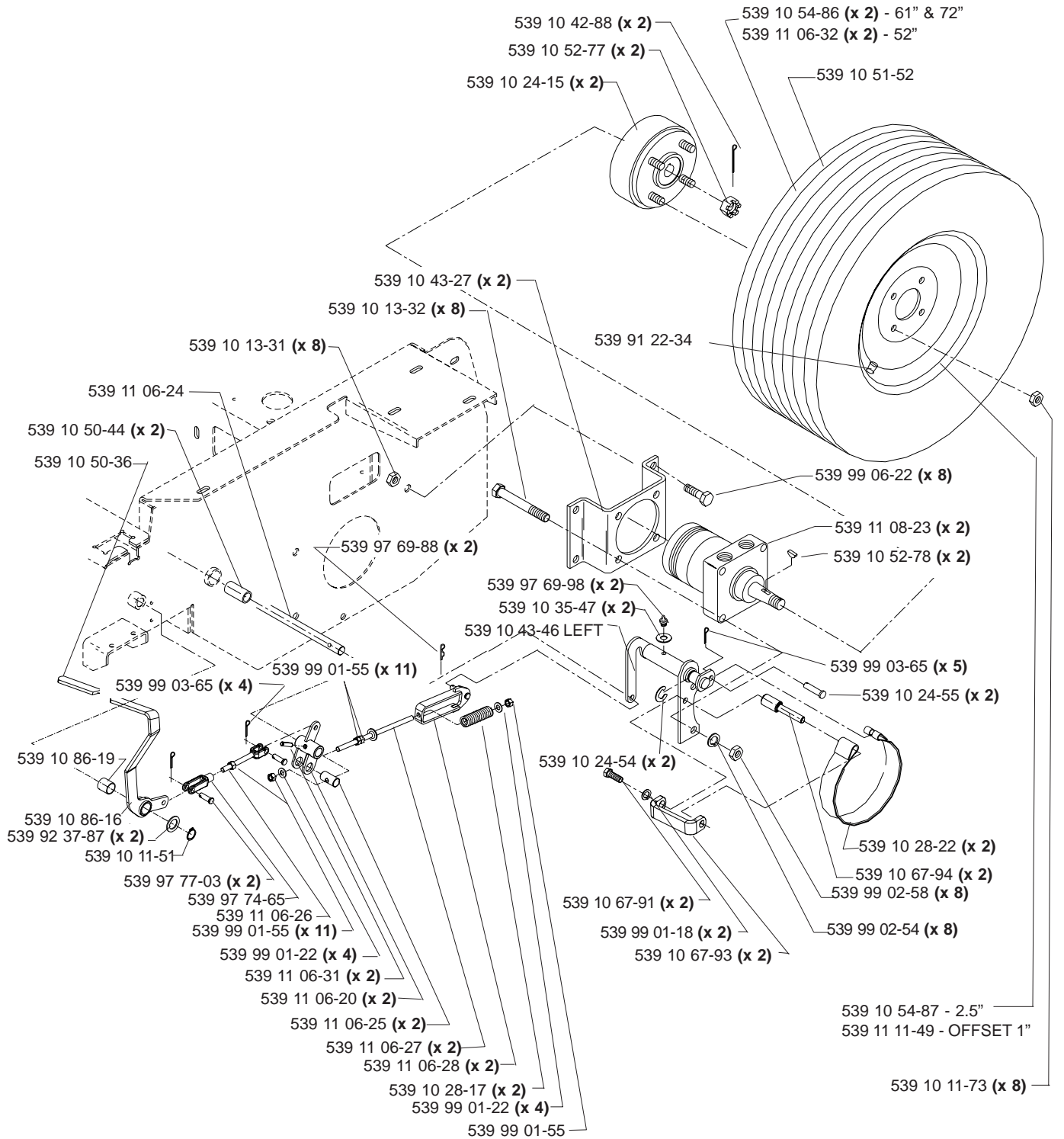
Motion Control Assembly



Deck Lift Assembly

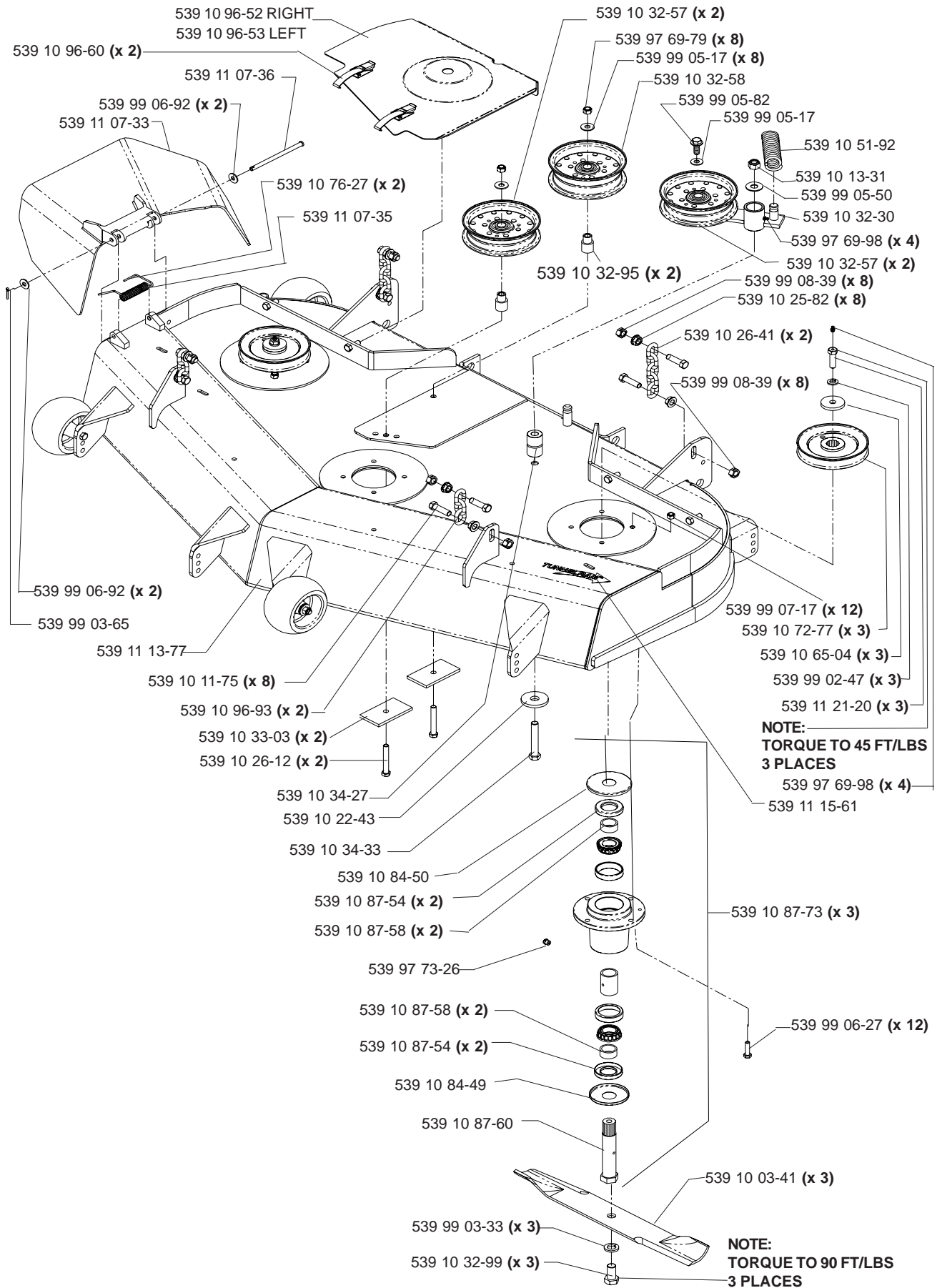


Park Brake Assembly

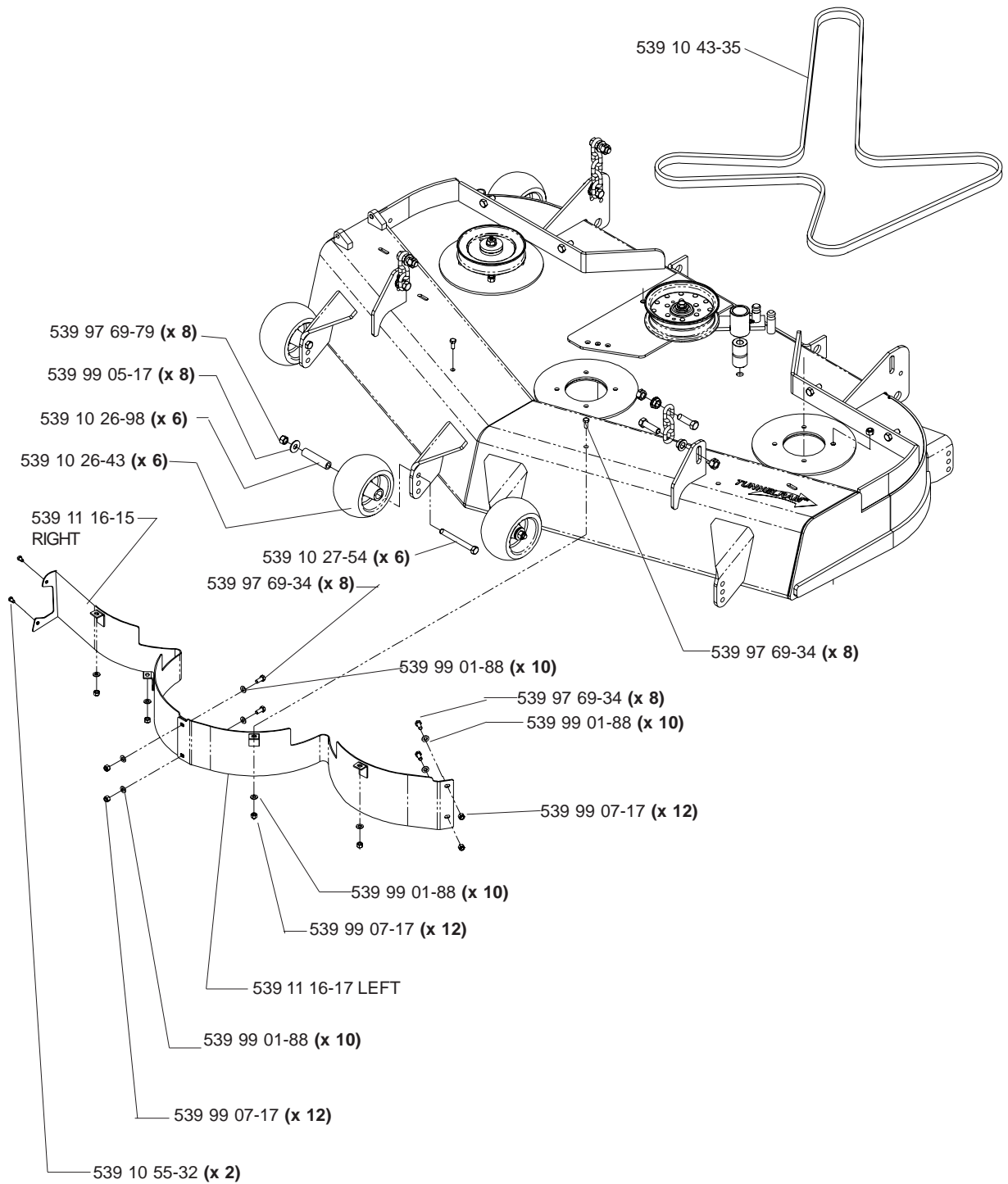


539 10 43-47 BRAKE BRACKET, RIGHT (NOT SHOWN)

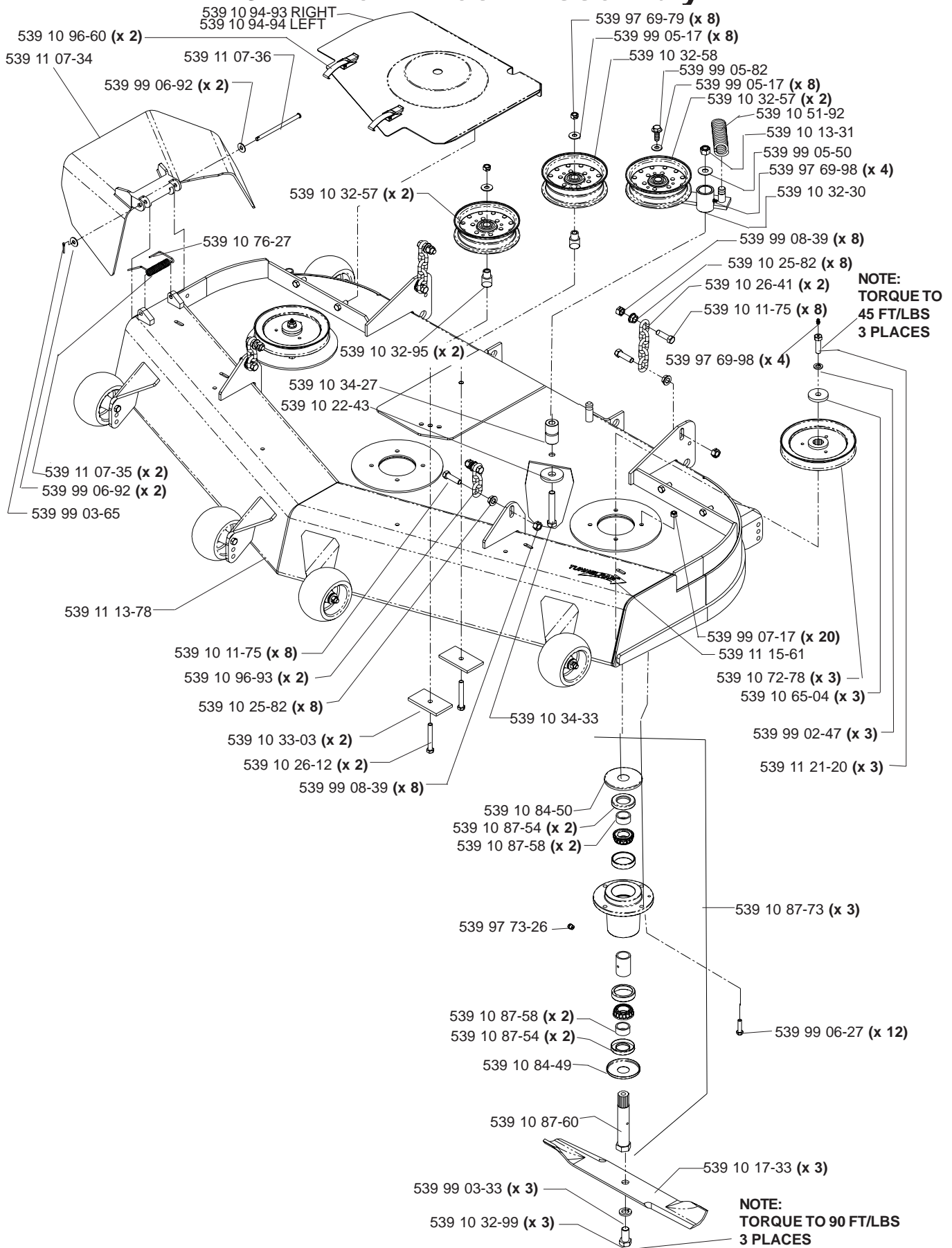
52" Front Deck Assembly



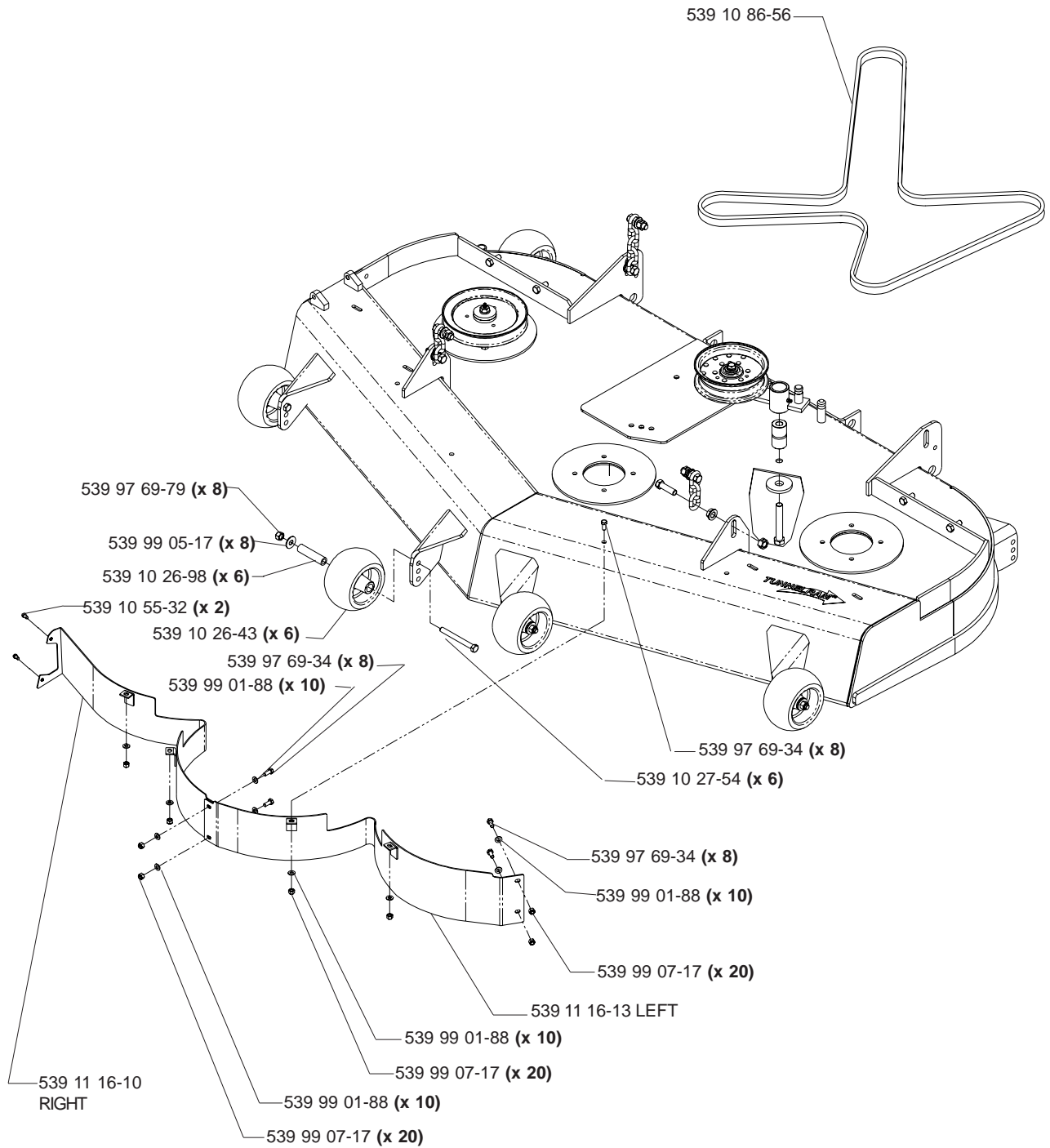
52" Front Deck Assembly



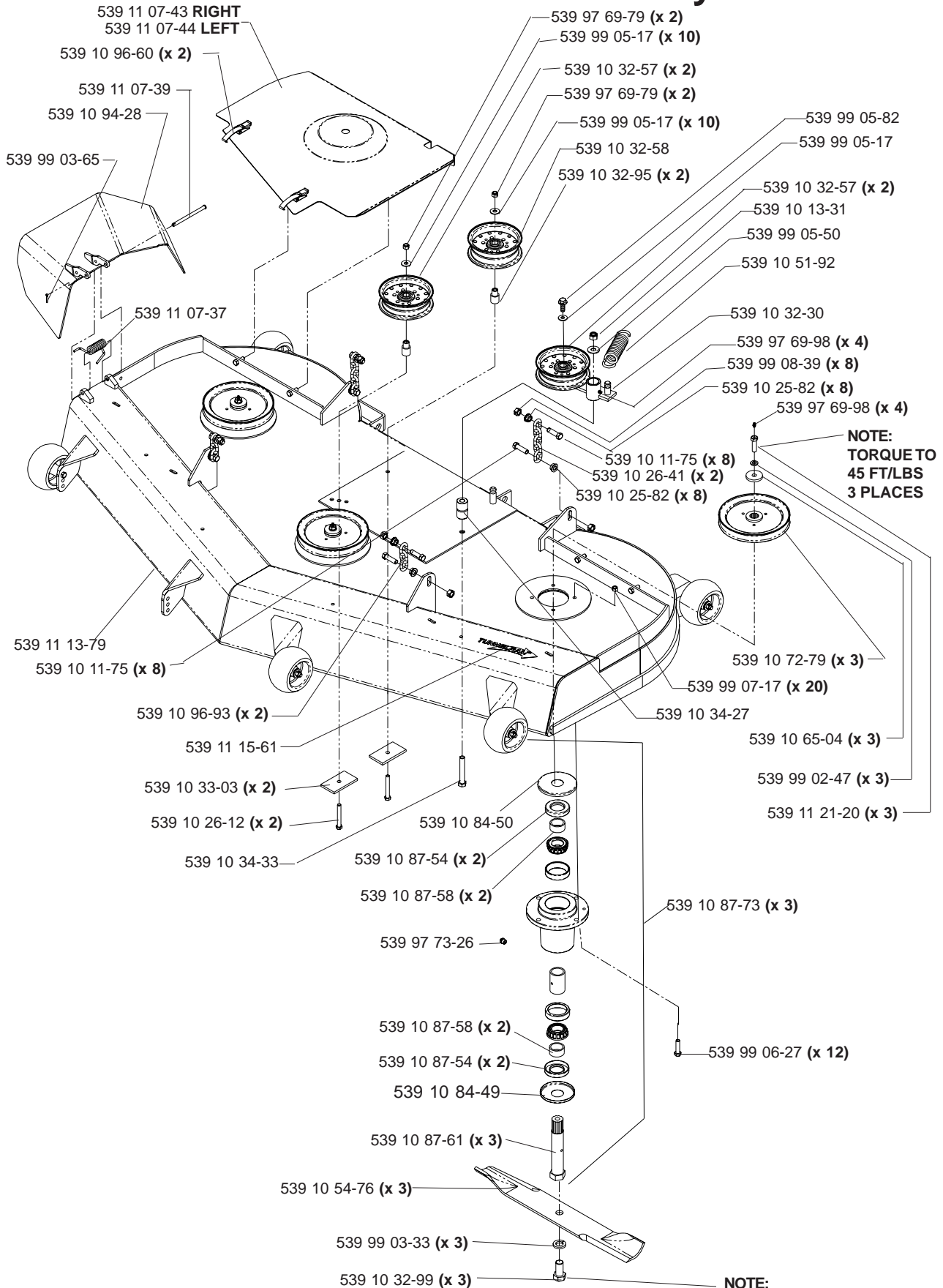
61" Front Deck Assembly



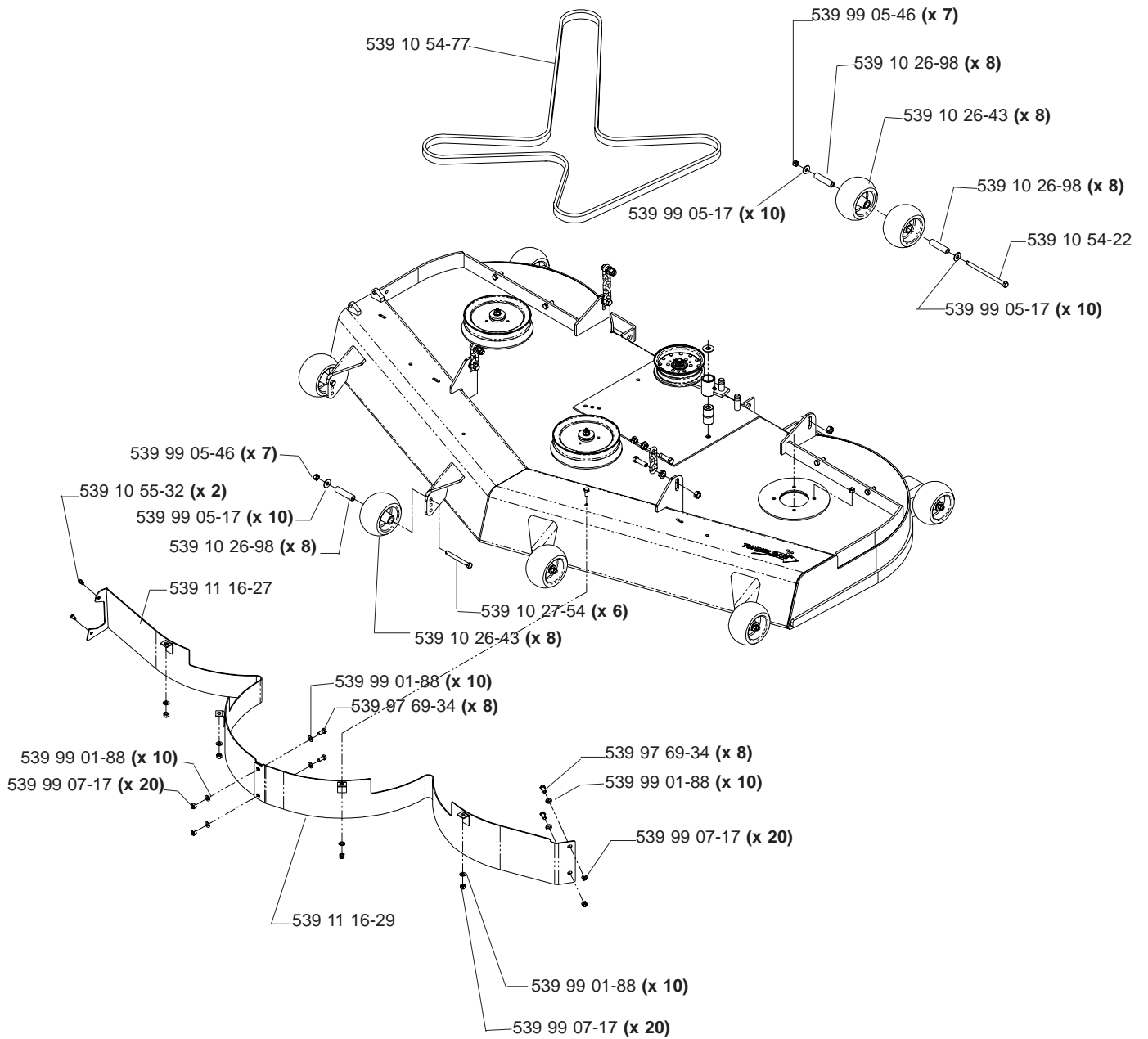
61" Front Deck Assembly



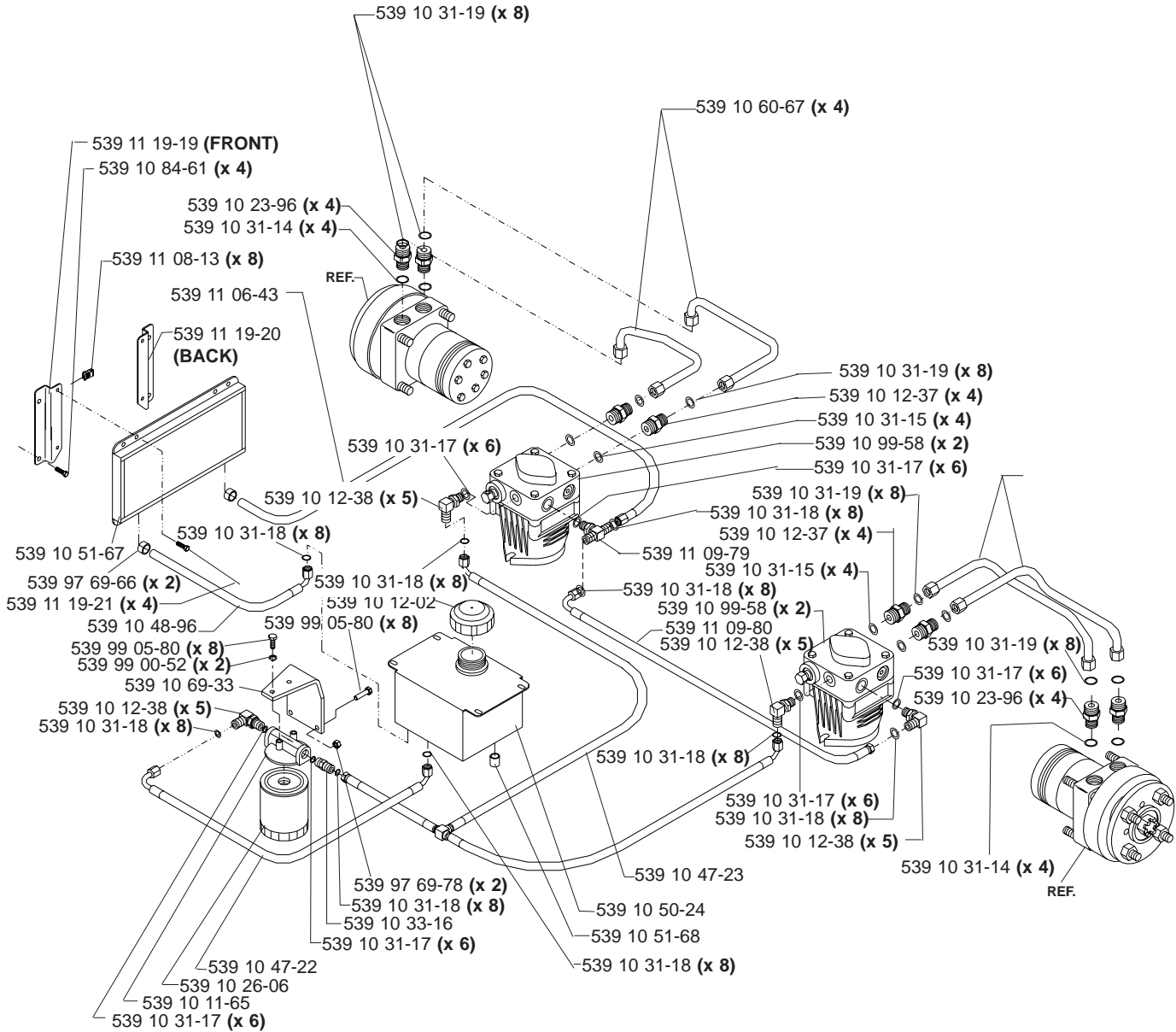
72" Front Deck Assembly



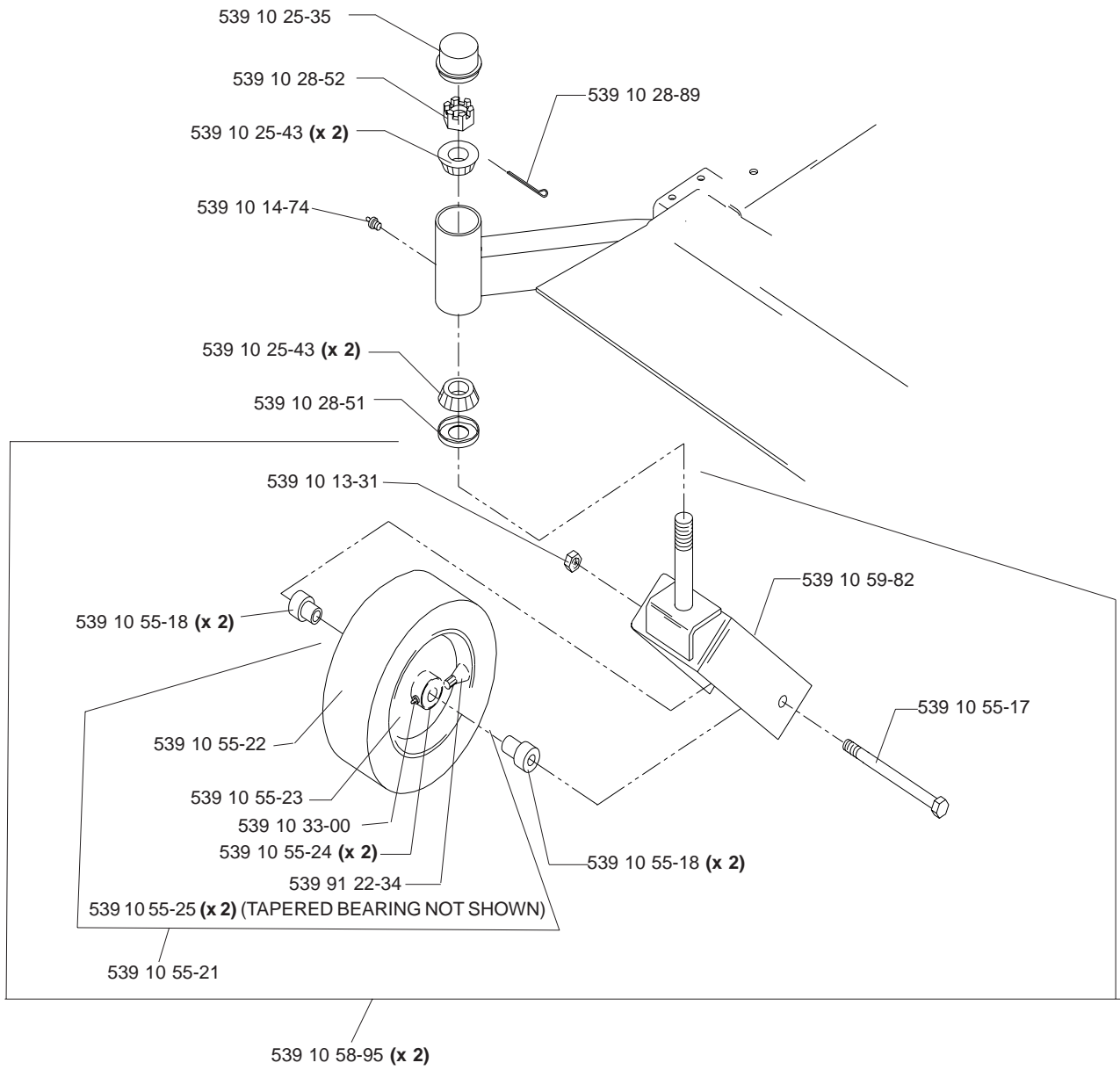
72" Front Deck Assembly



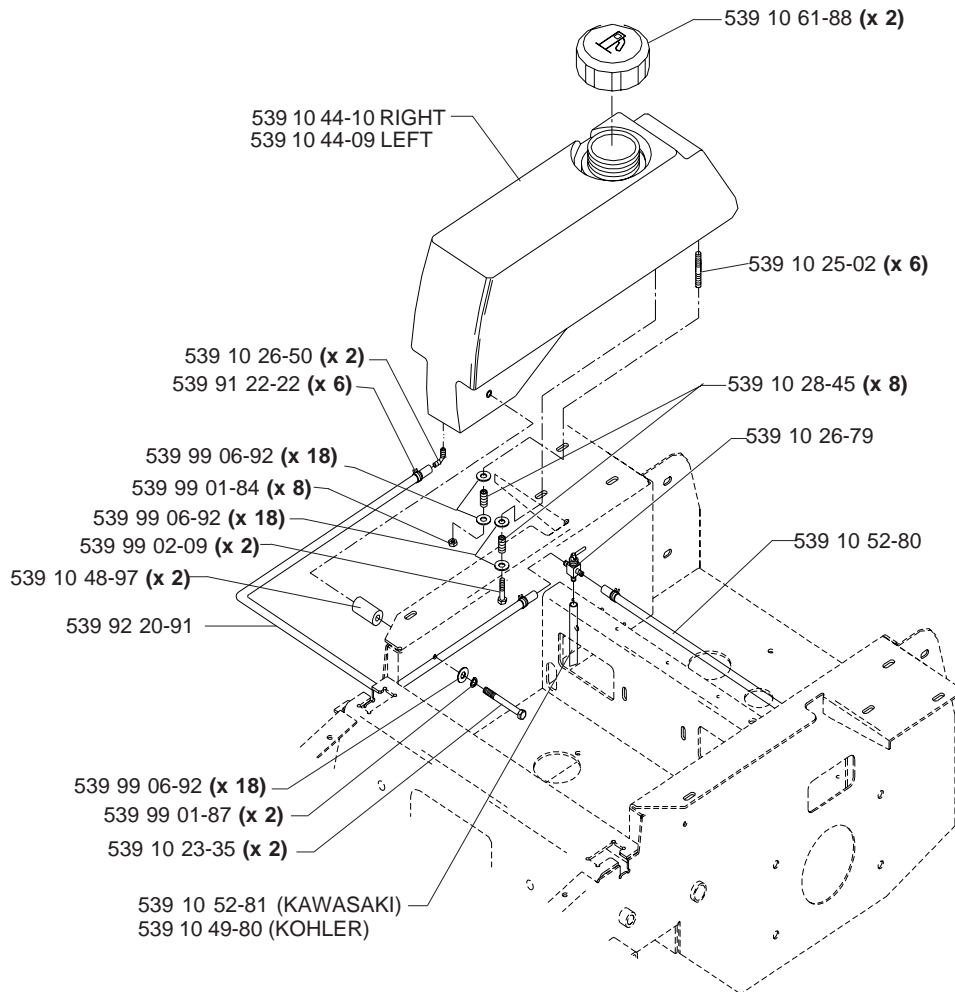
Hydraulic System Assembly



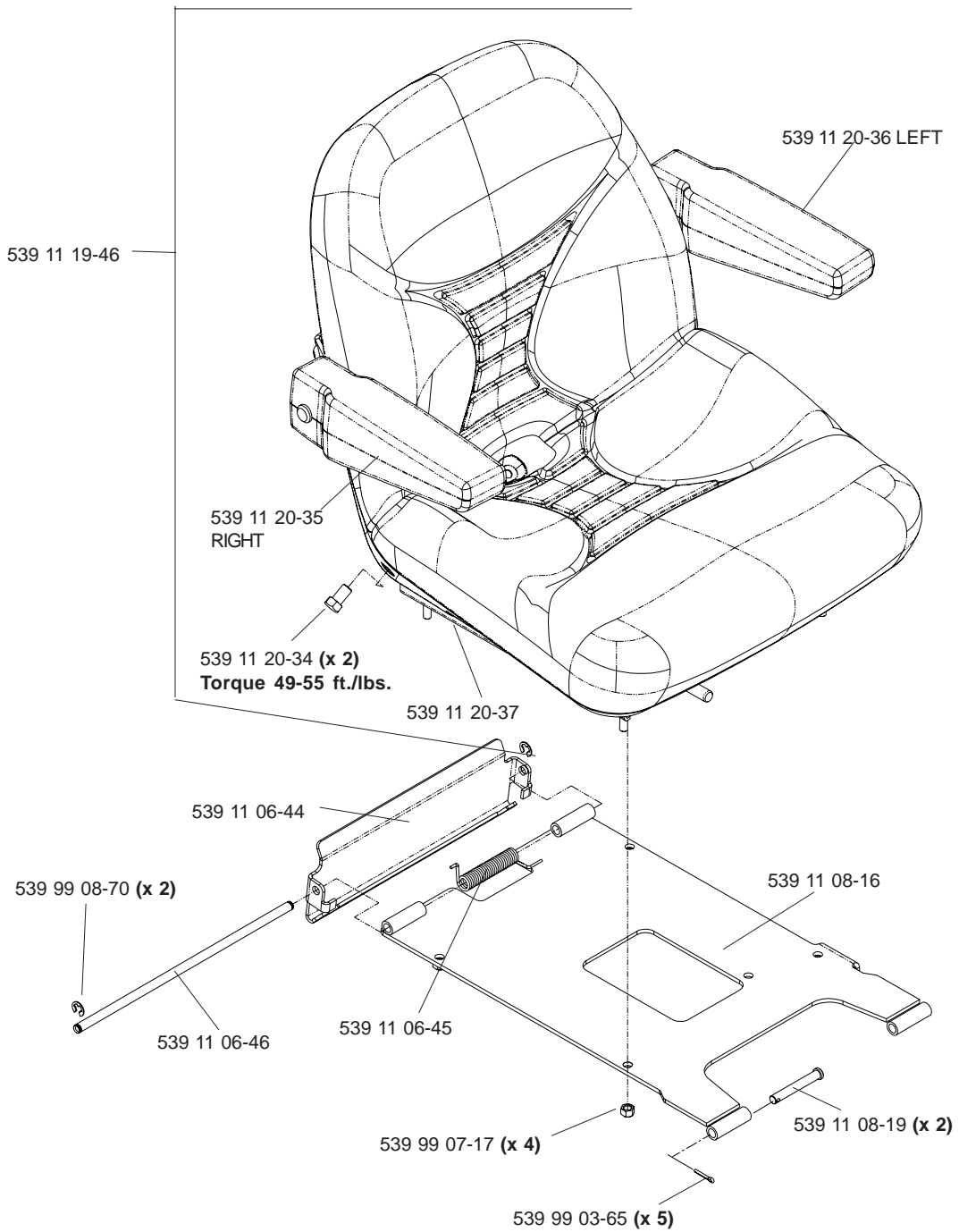
Caster Assembly



Fuel Assembly

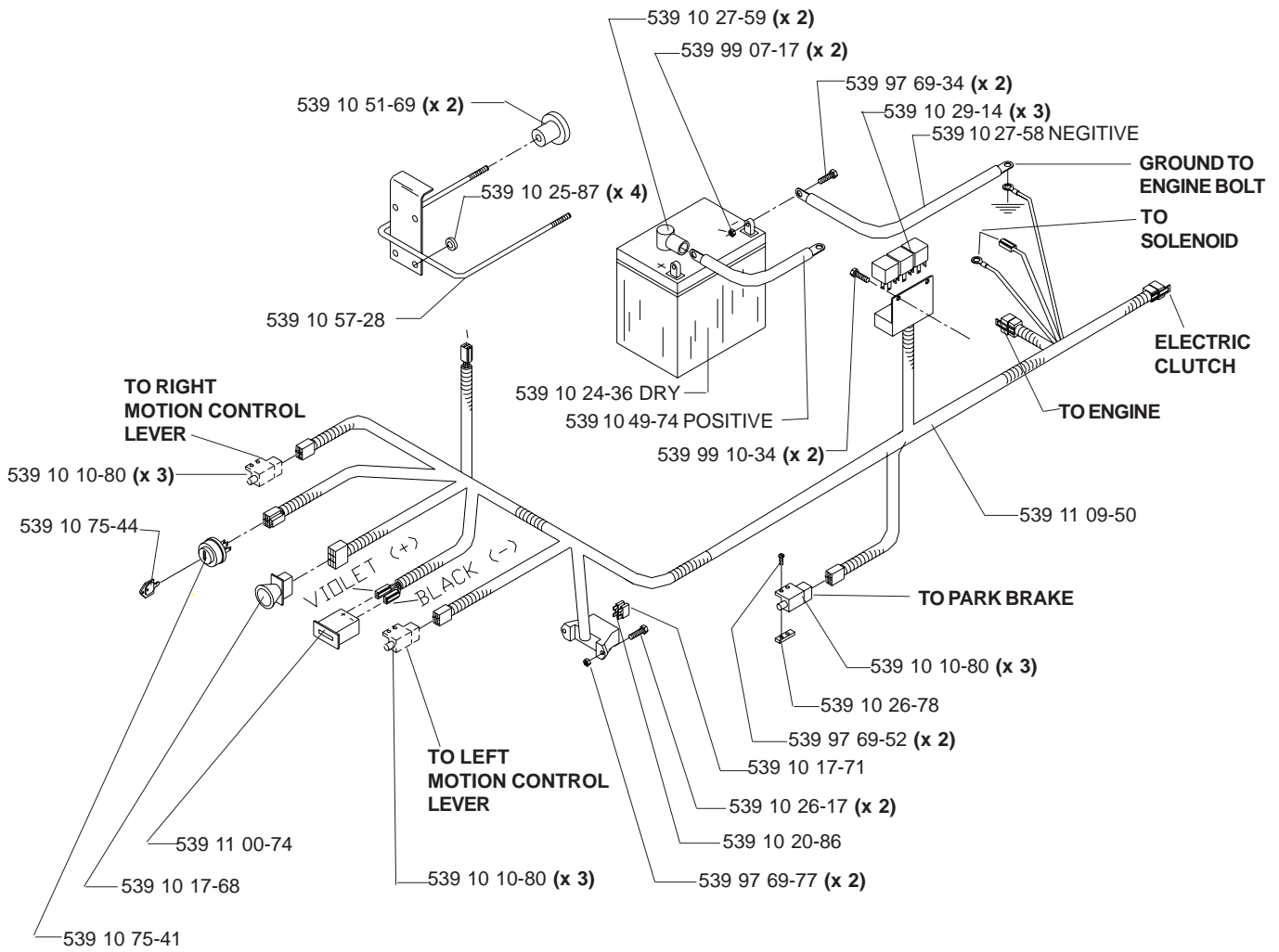


Seat Assembly

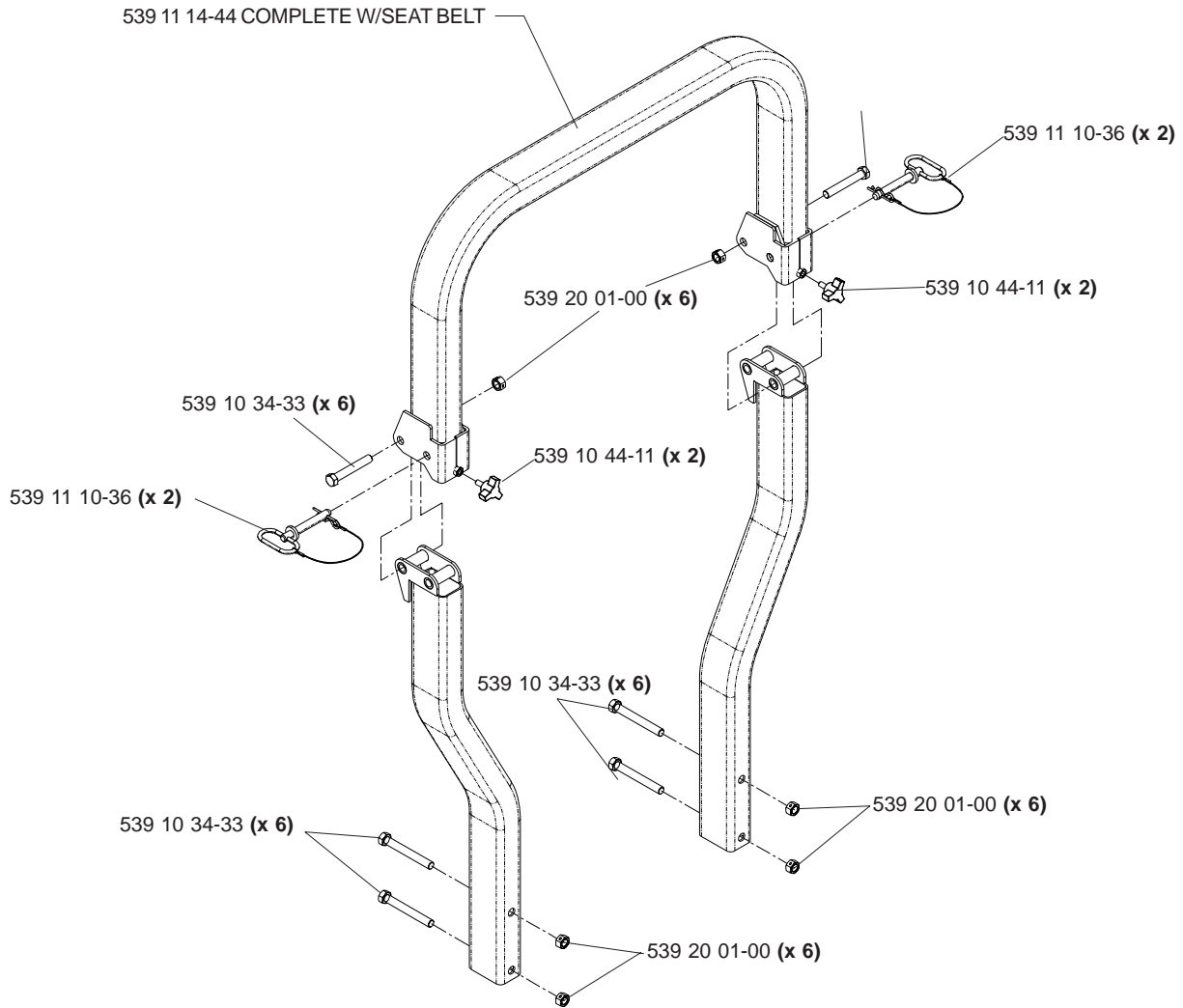


- 539 11 10-26 1 SEAT BELT (NOT SHOWN)
- 539 10 87-45 1 SWITCH/SNAP MOUNT KIT (NOT SHOWN)

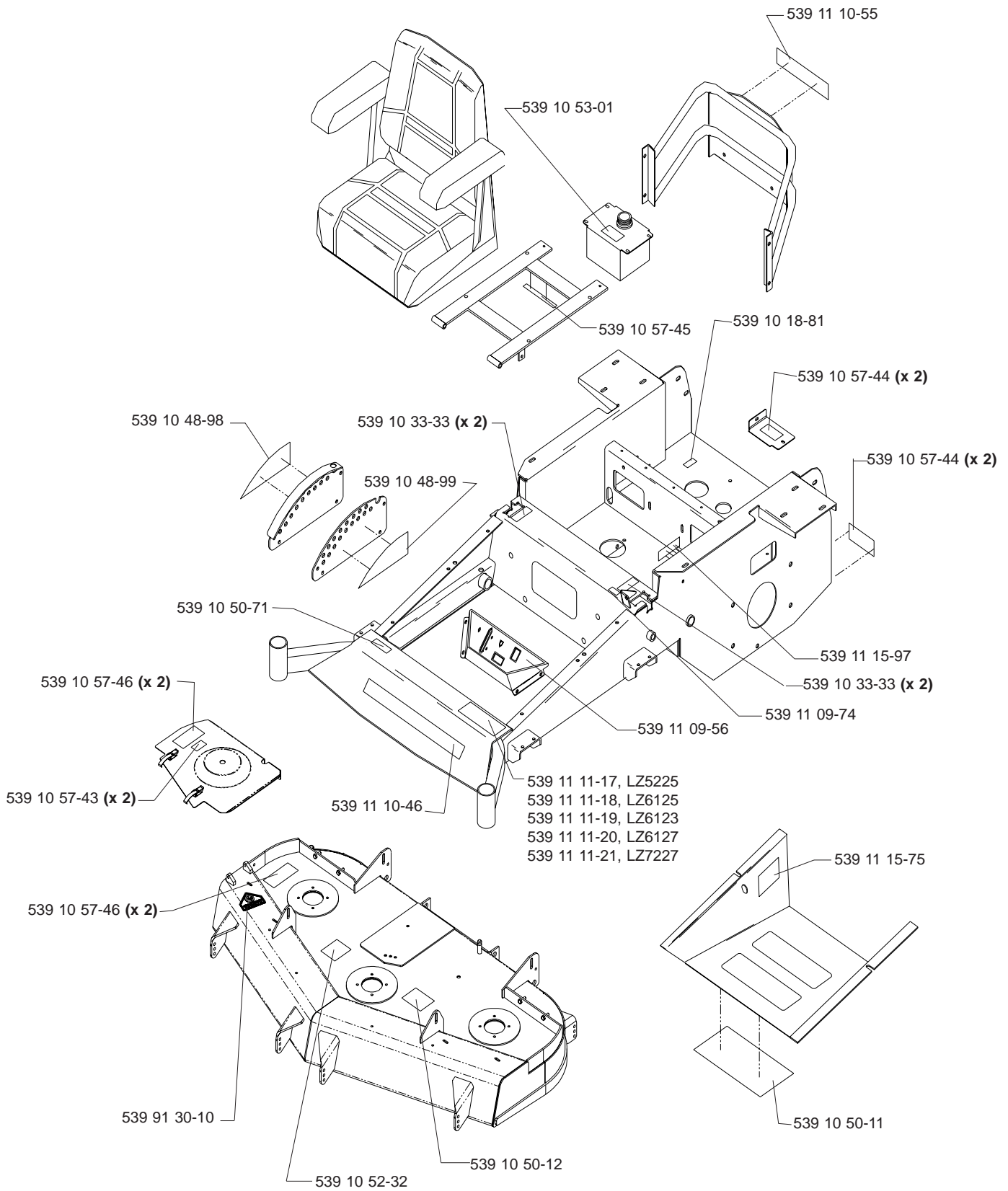
Wiring Assembly



ROPS

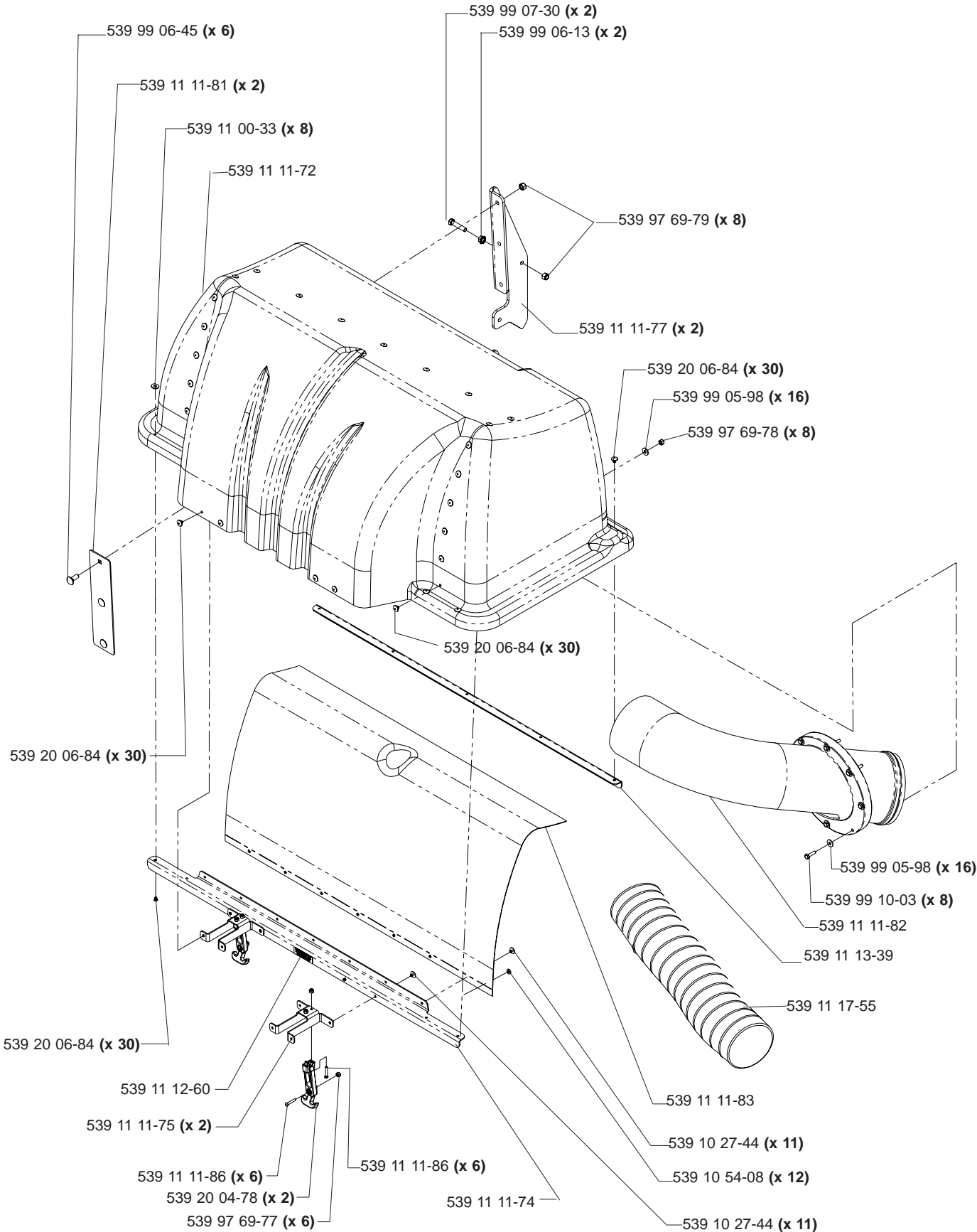


Decal Assembly

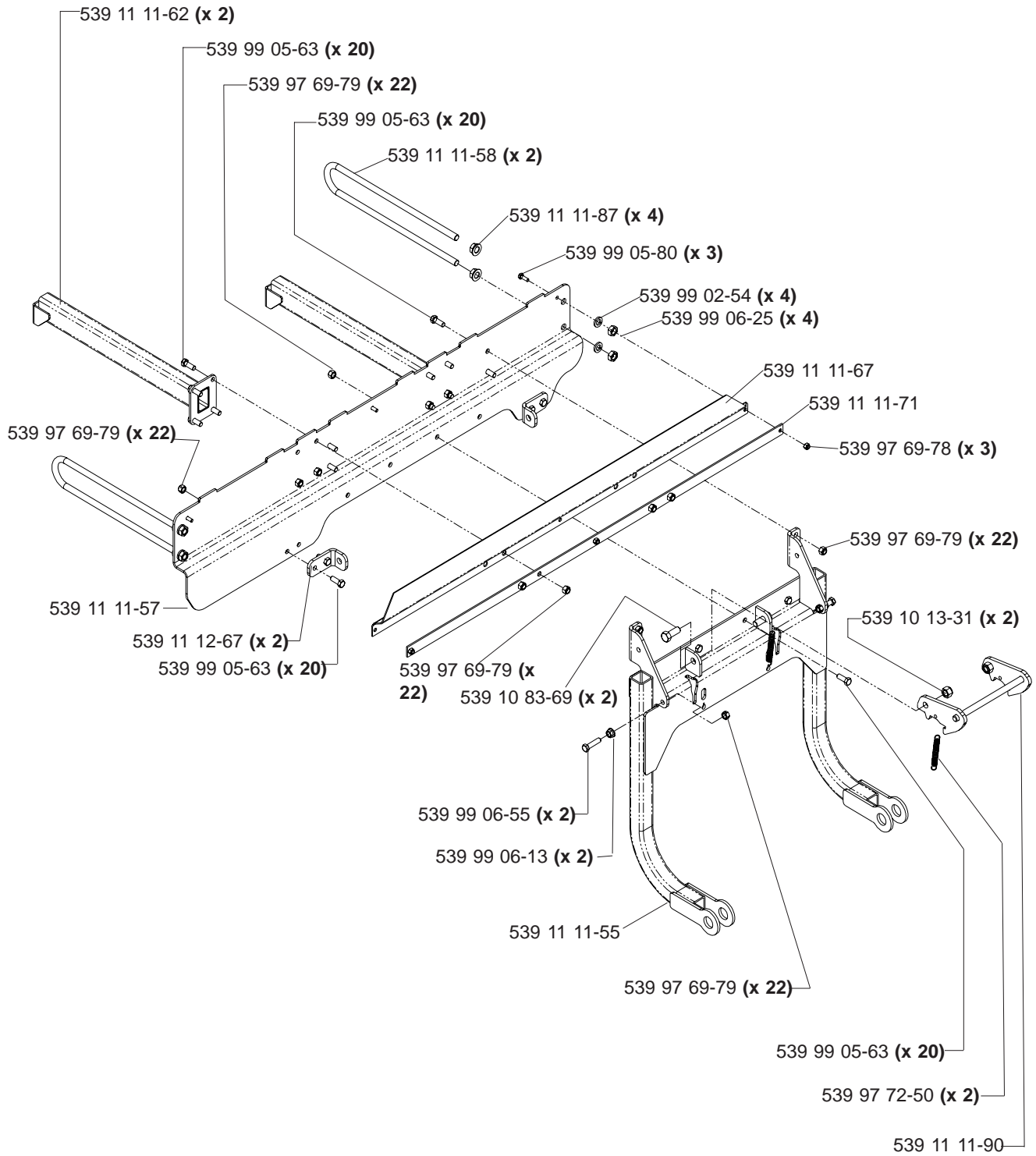


539 10 01-28 DECAL, EXHAUST ON ENGINE (NOT SHOWN)

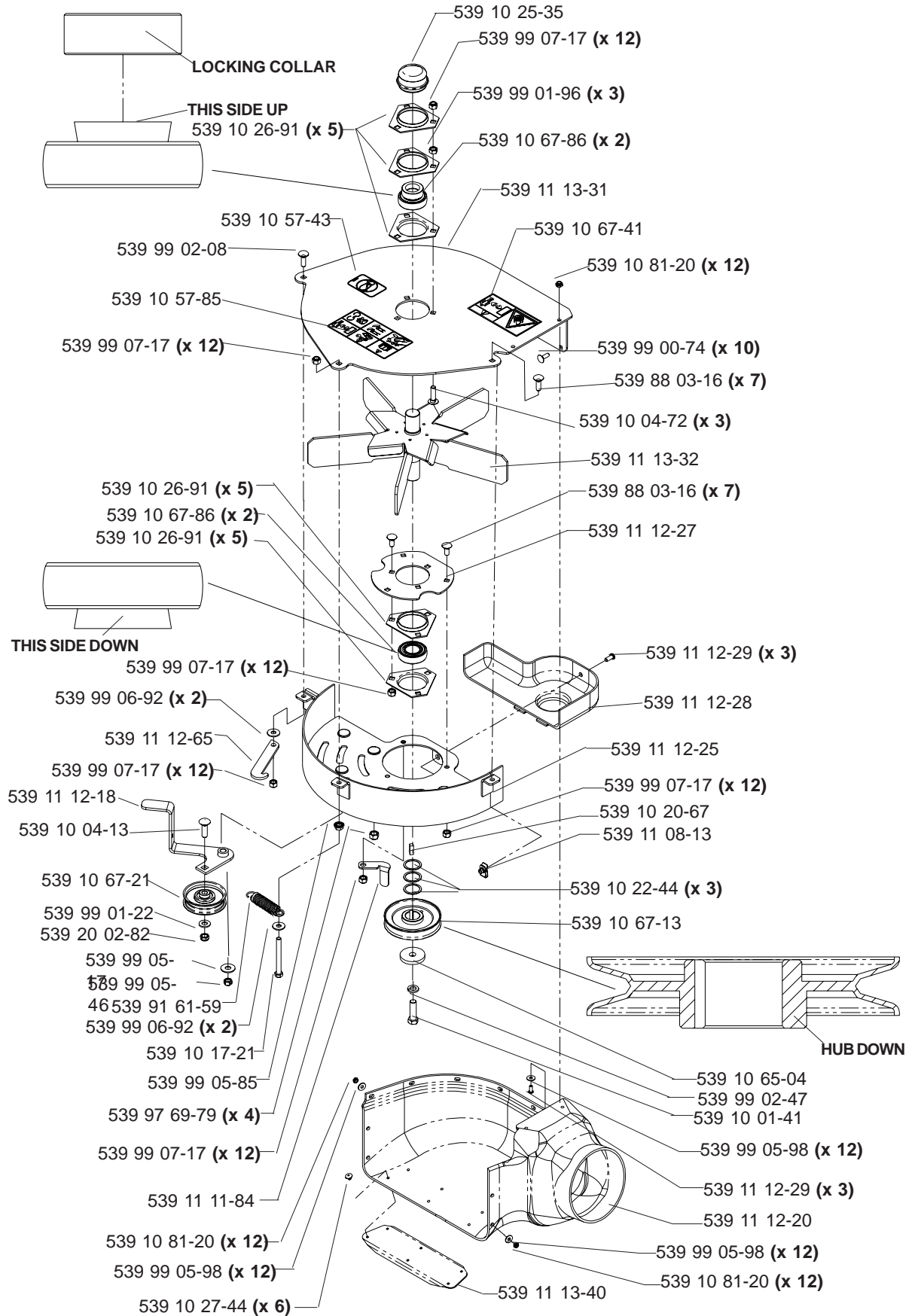
Accessory Collection Hood



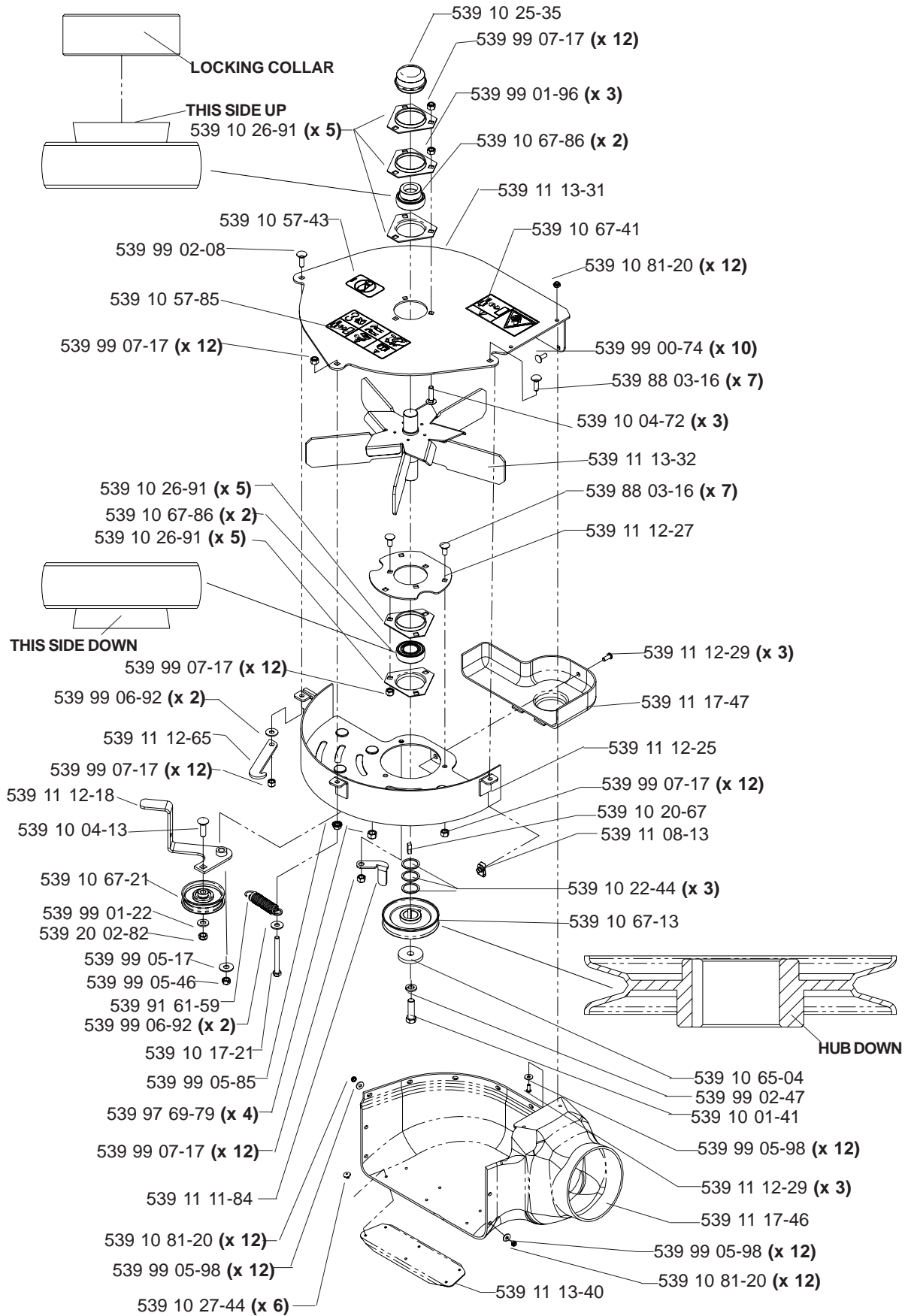
Accessory Collection Hitch



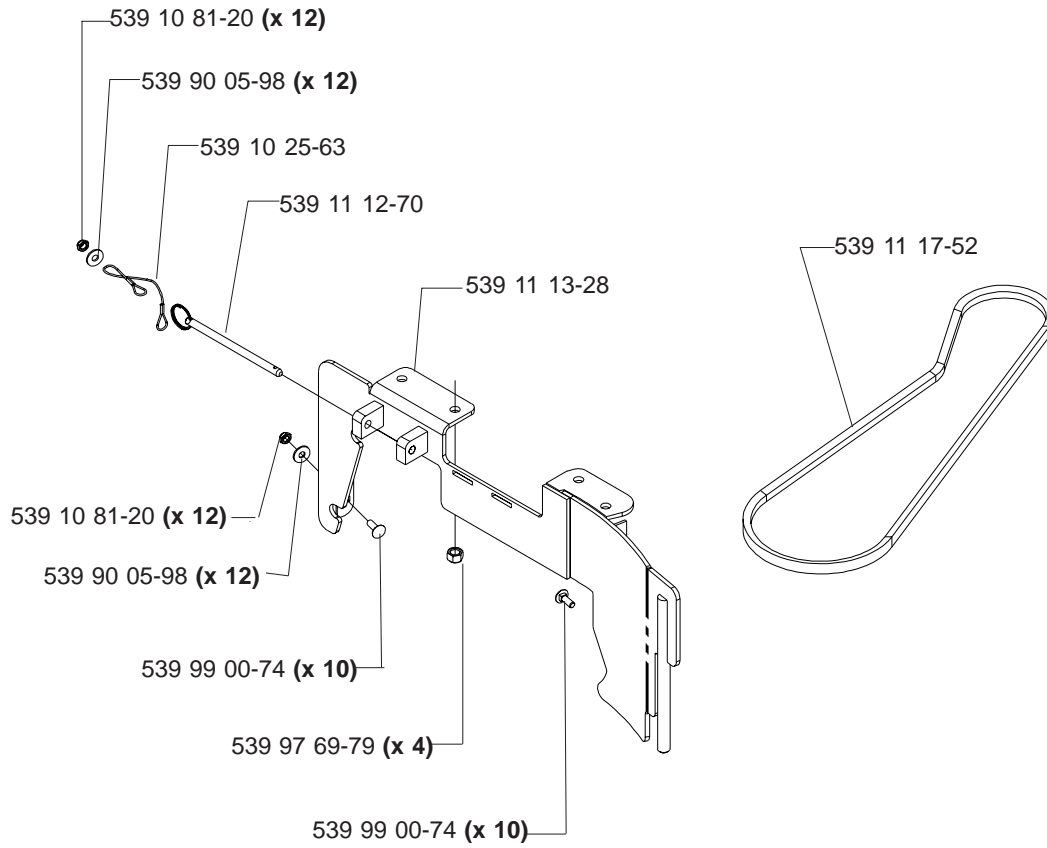
Accessory Collection Blower 52" & 61"



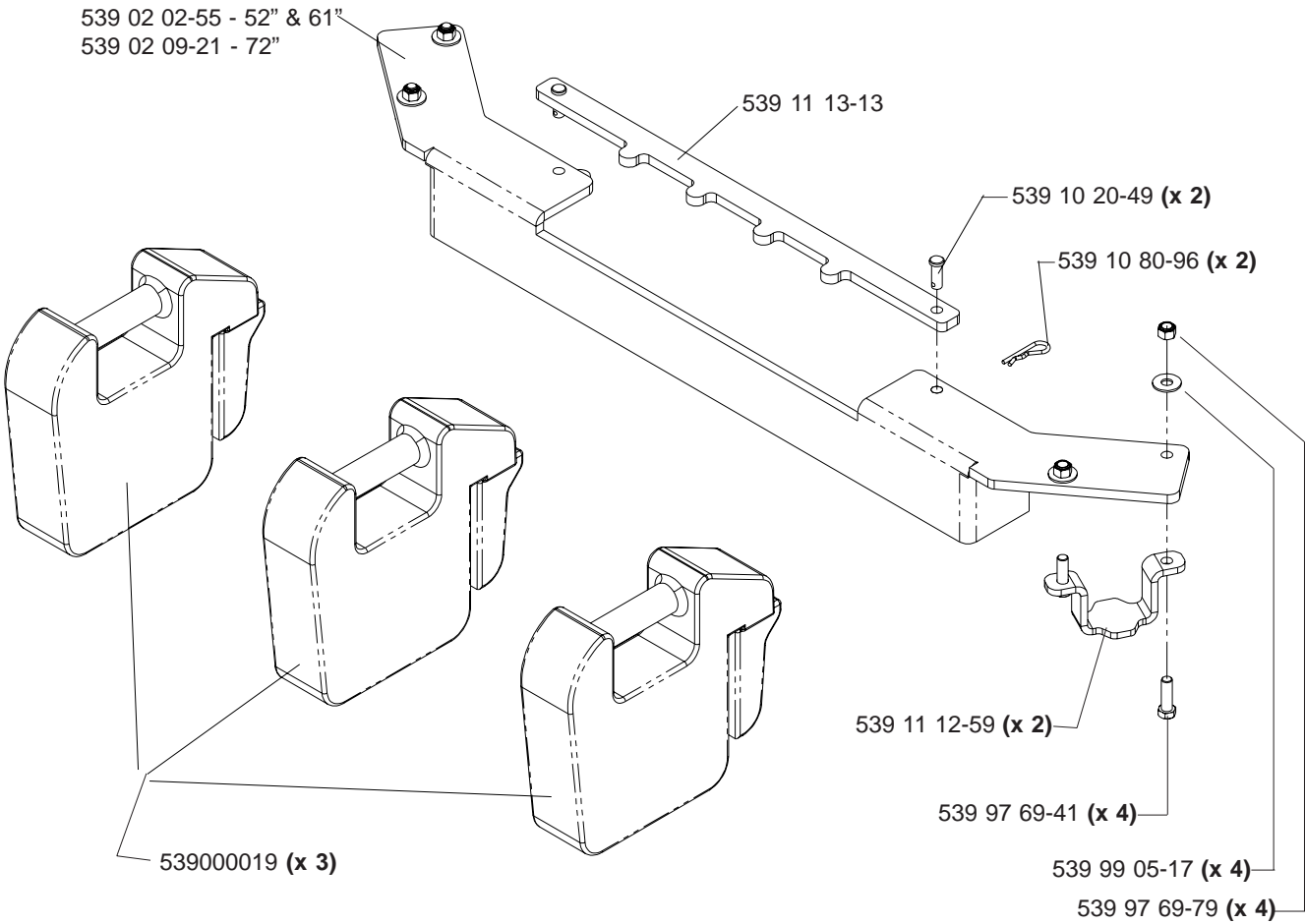
Accessory Collection Blower 72"



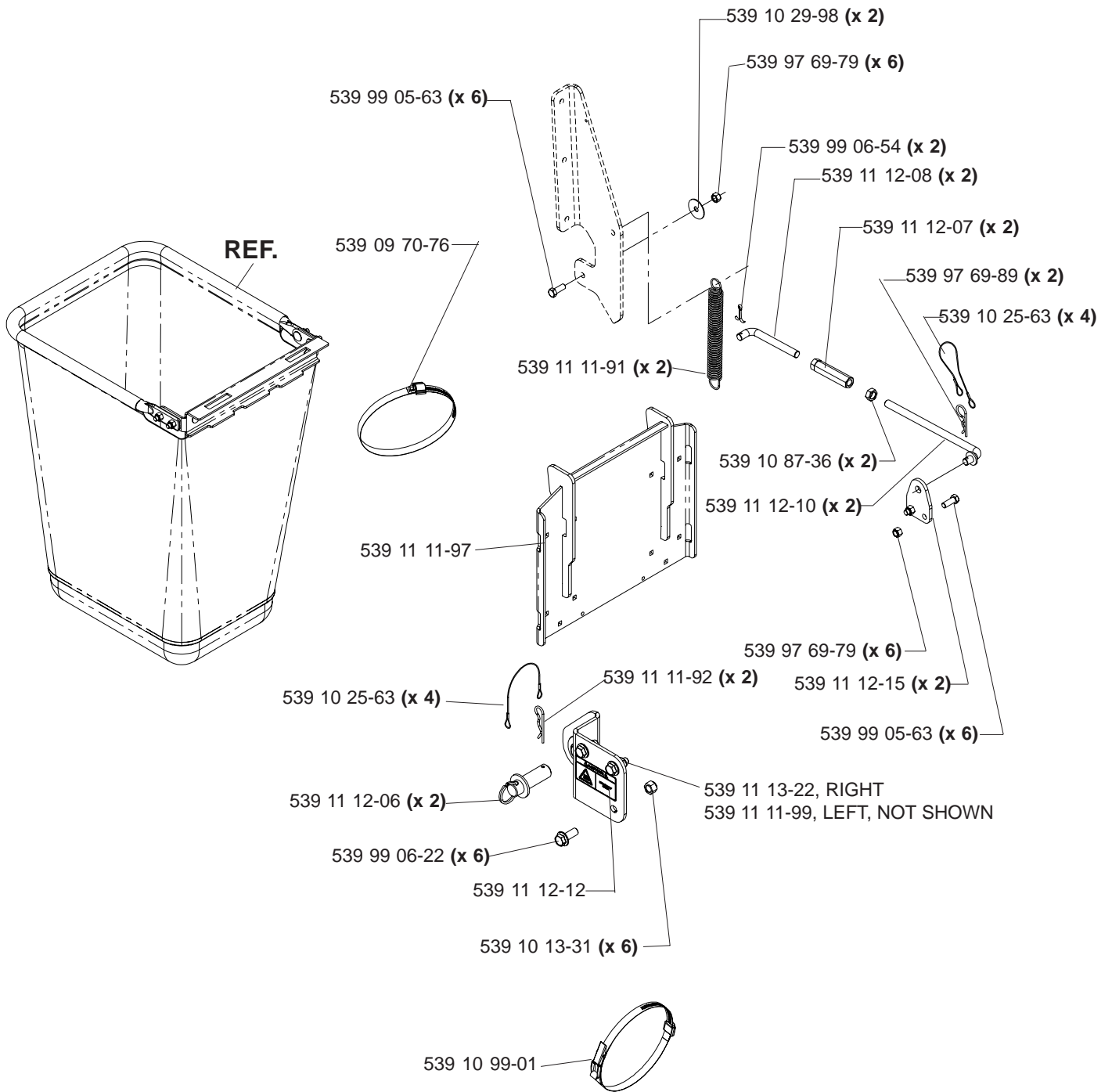
Accessory Collection Blower 72"



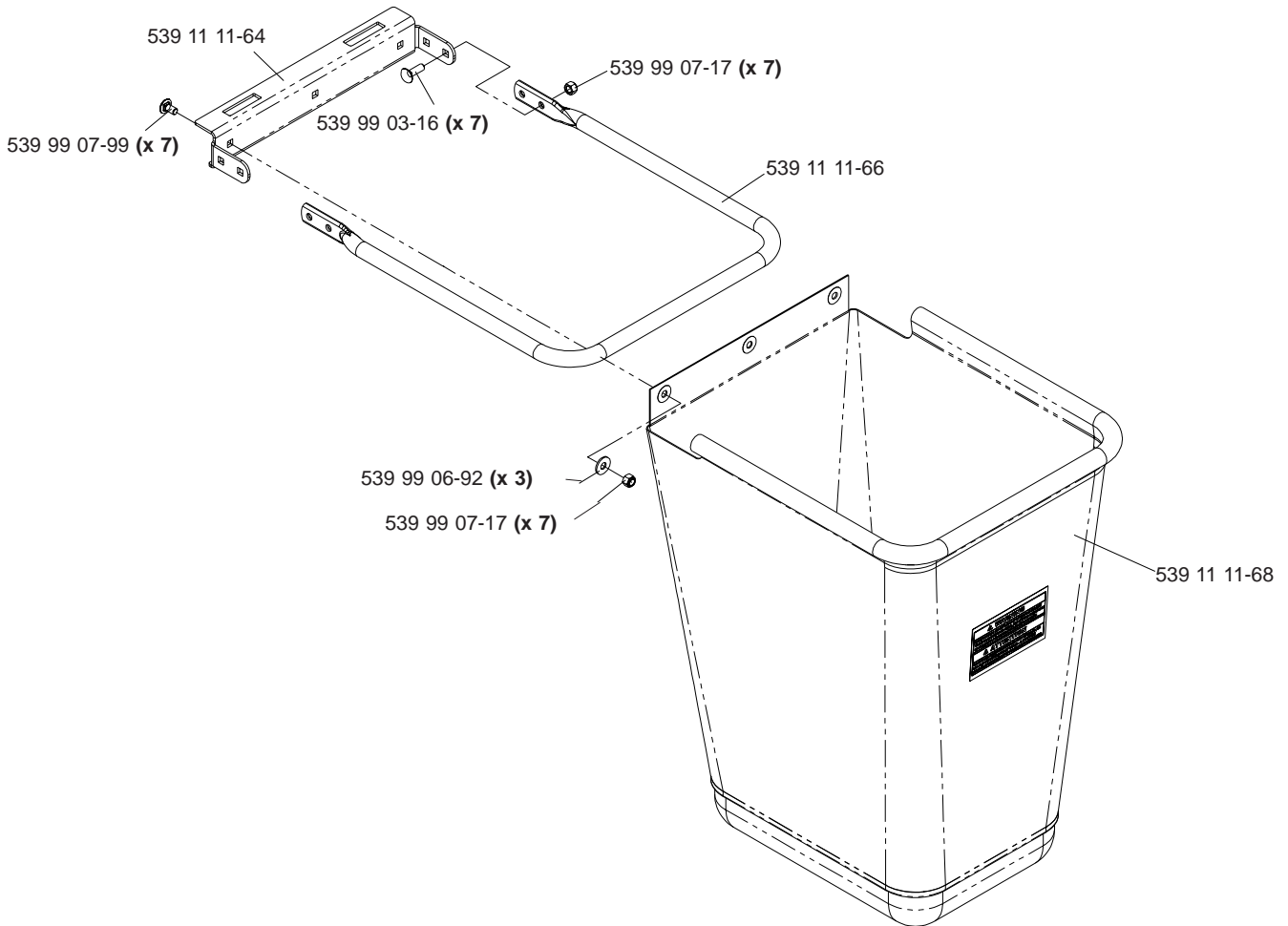
Accessory Weight Kit



Accessory Mounting Kit

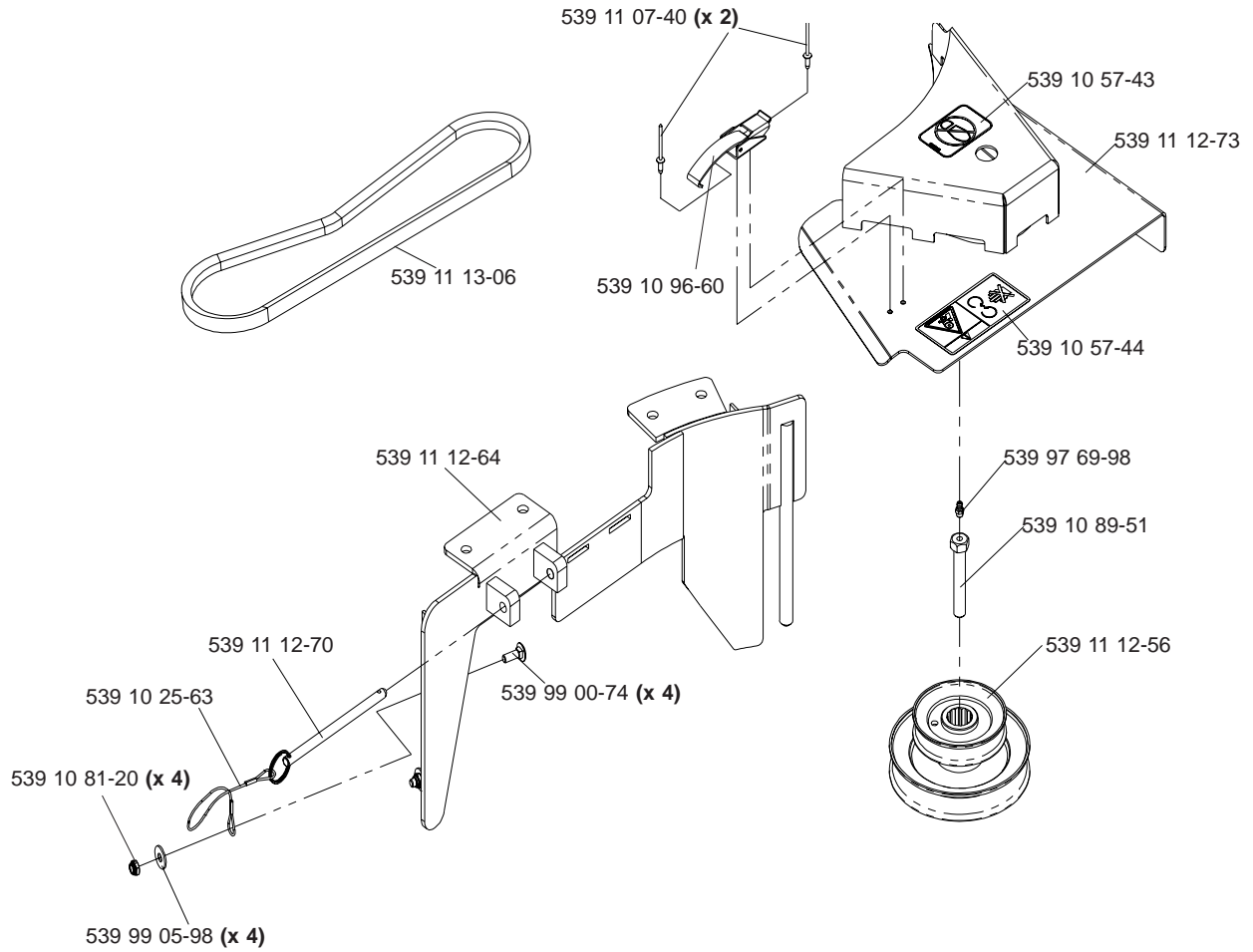


Accessory Bag Assembly



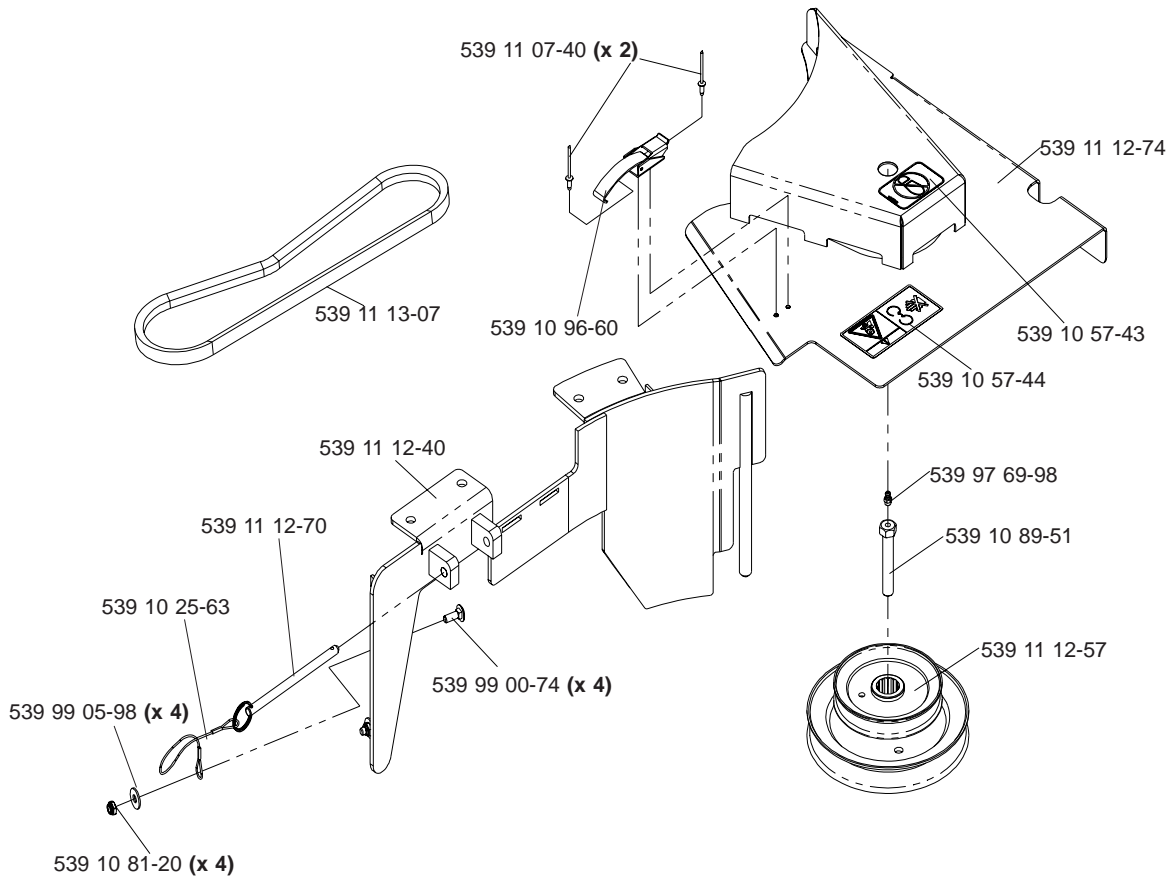
Accessory Drive Kit

539 11 12-77 - 52 INCH DECK



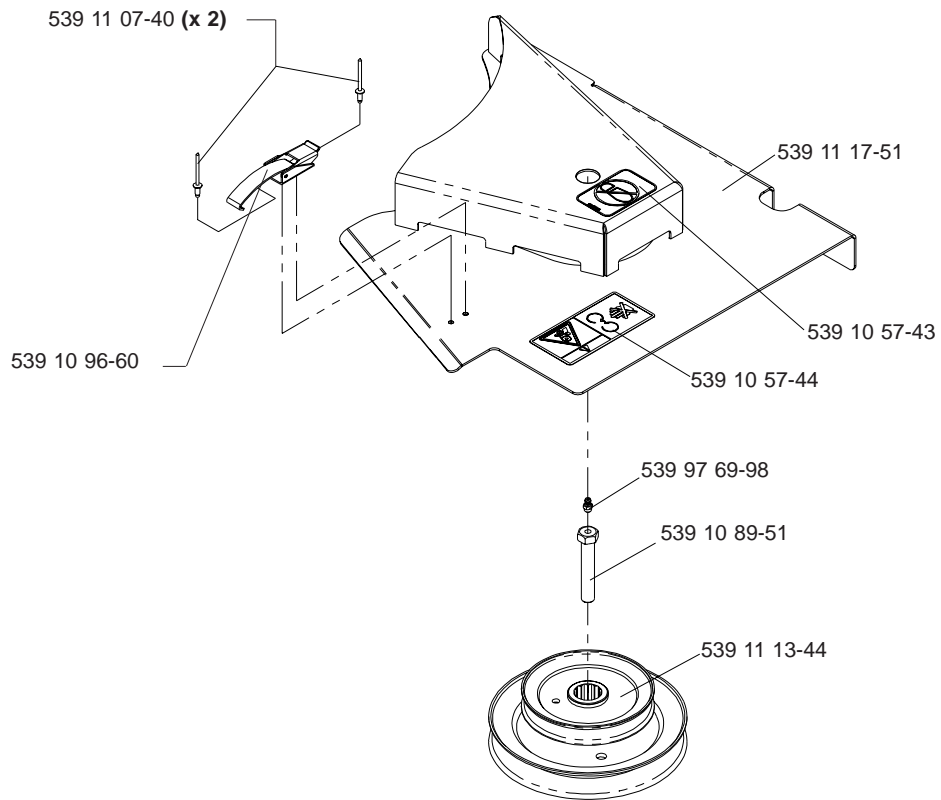
Accessory Drive Kit

539 11 12-78 - 61 INCH DECK

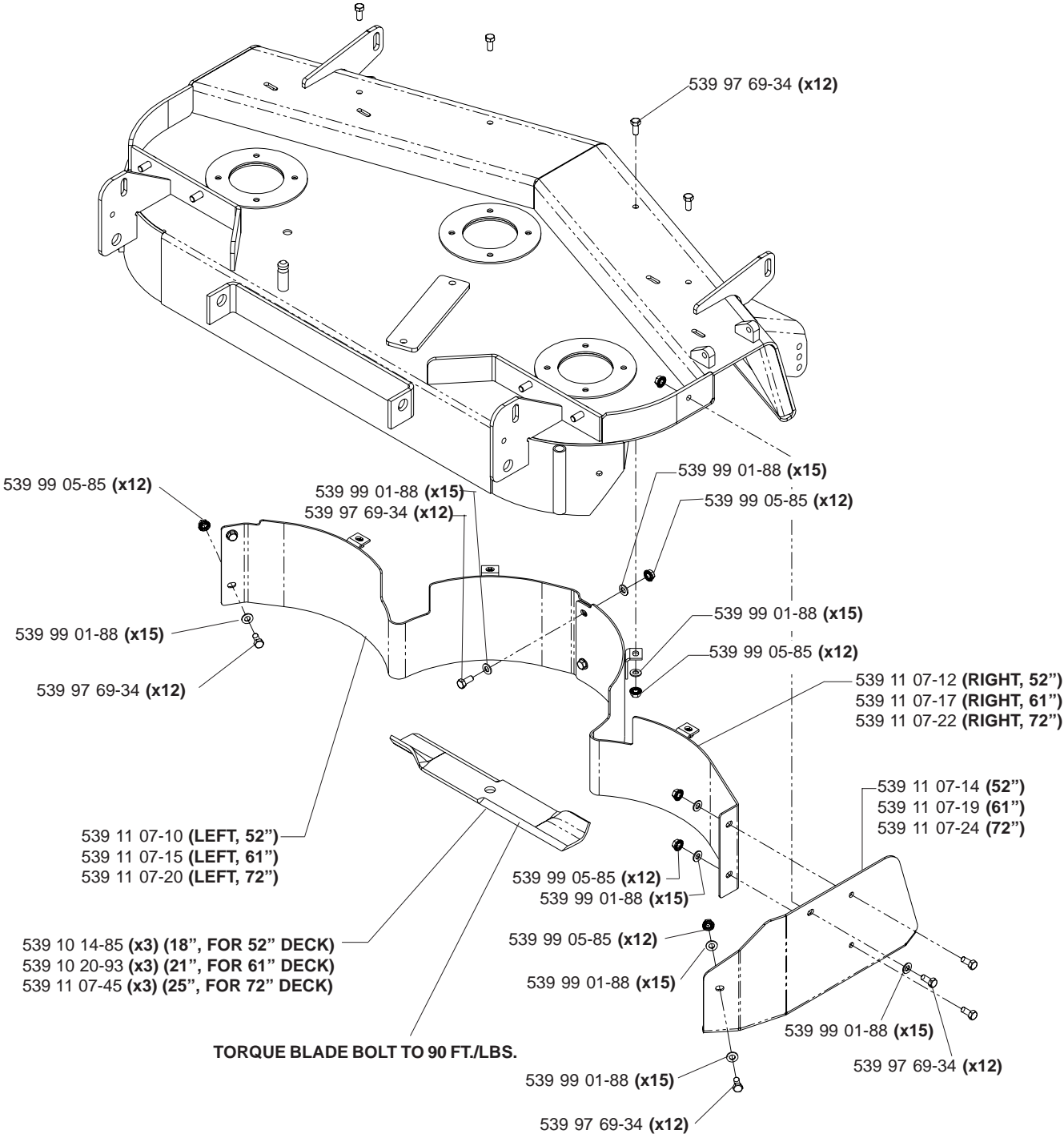


Accessory Drive Kit

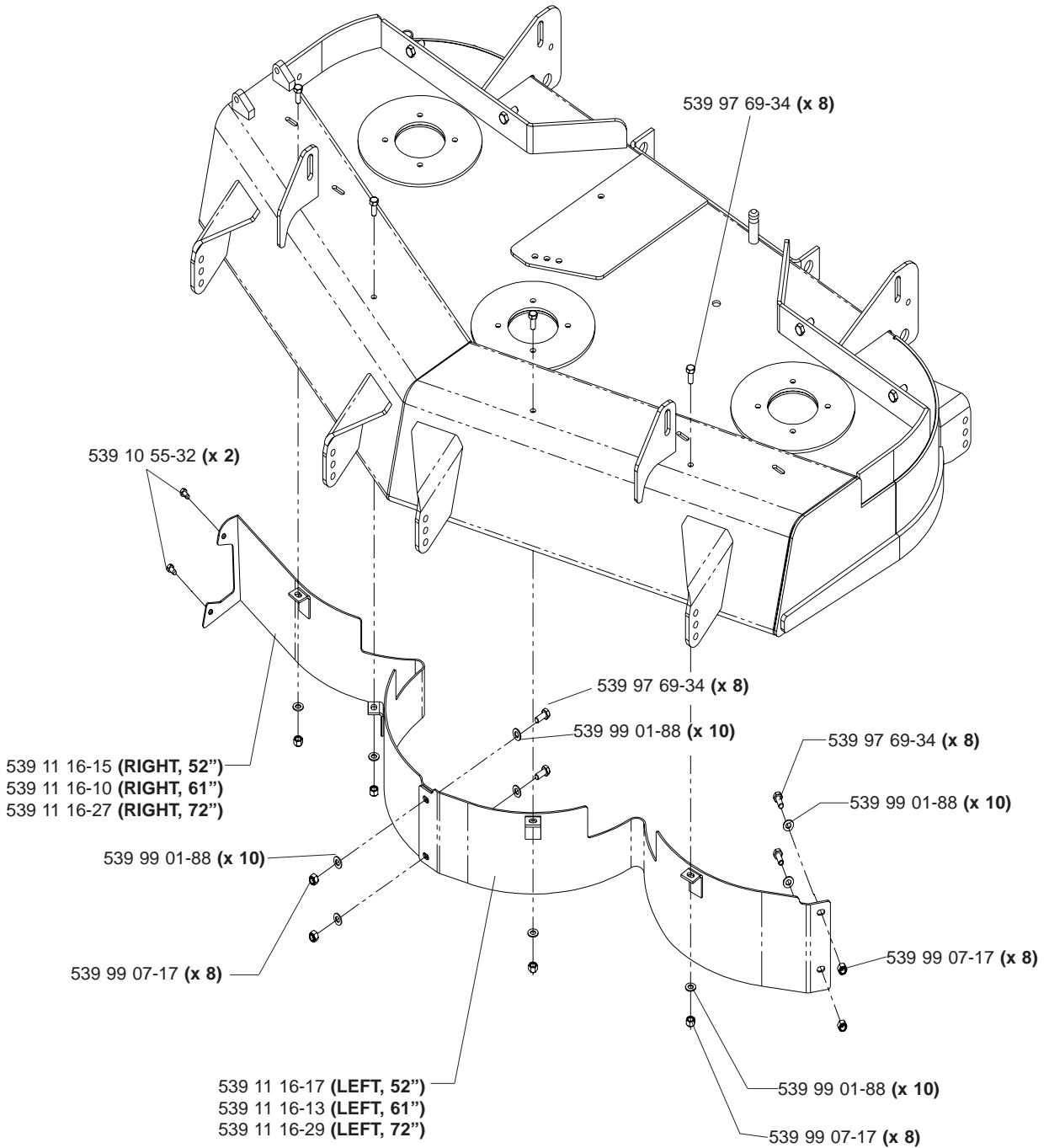
539 11 17-49 - 72 INCH DECK



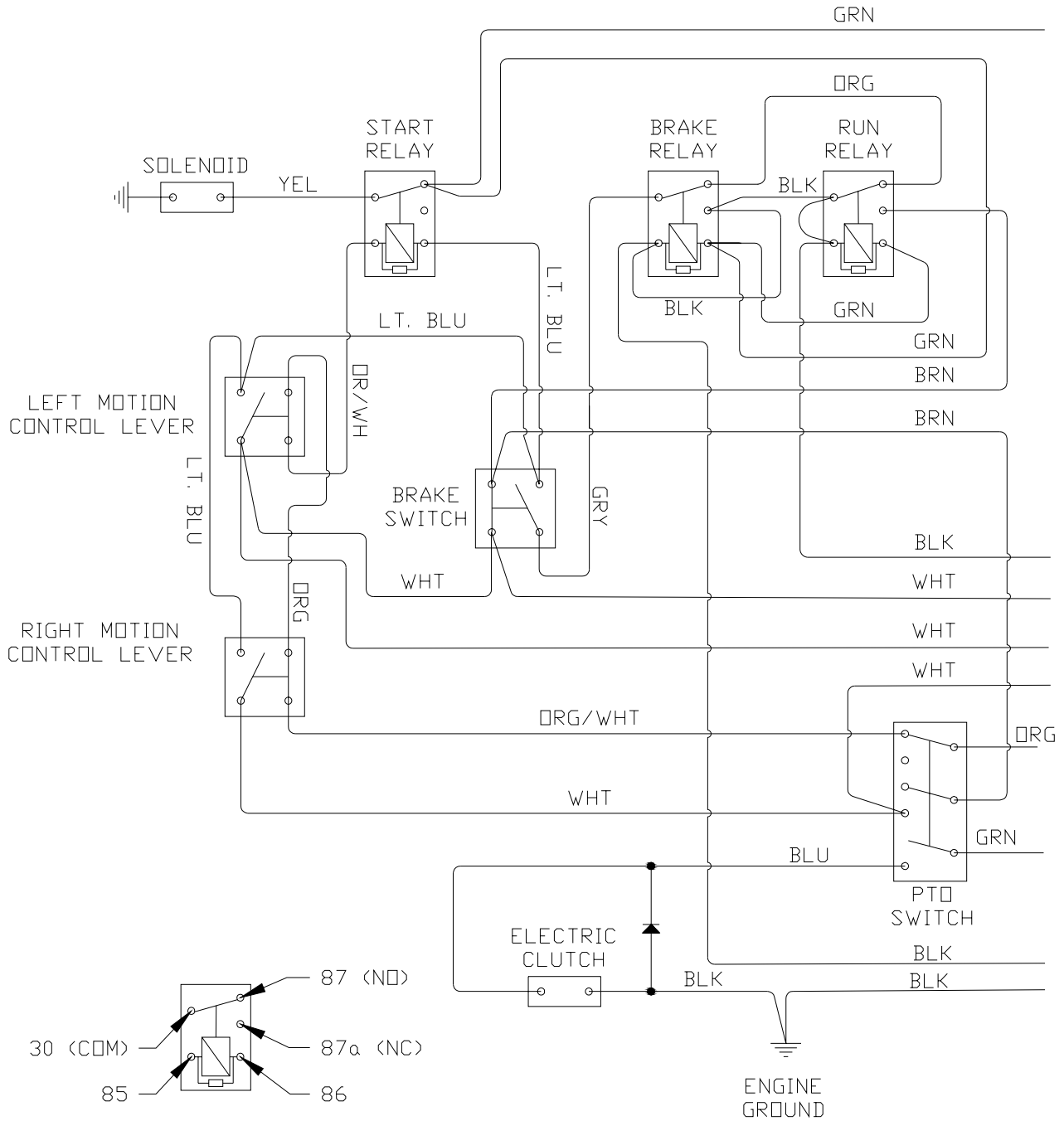
Accessory Mulch Kits



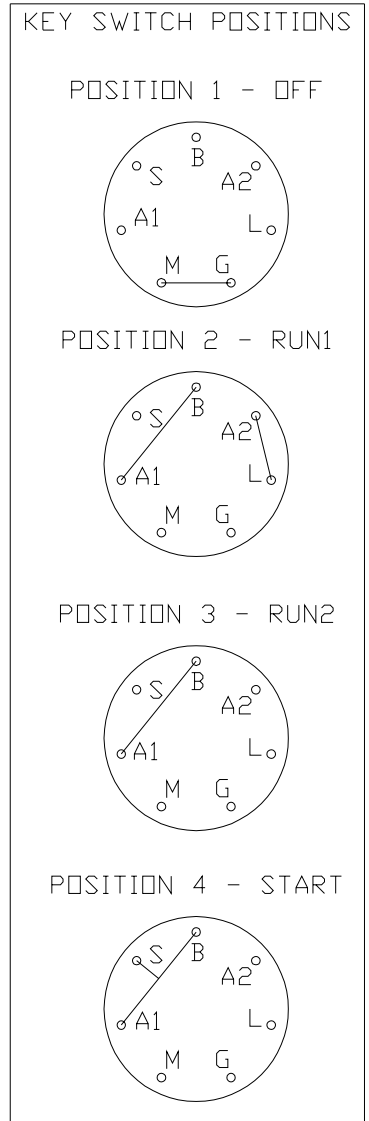
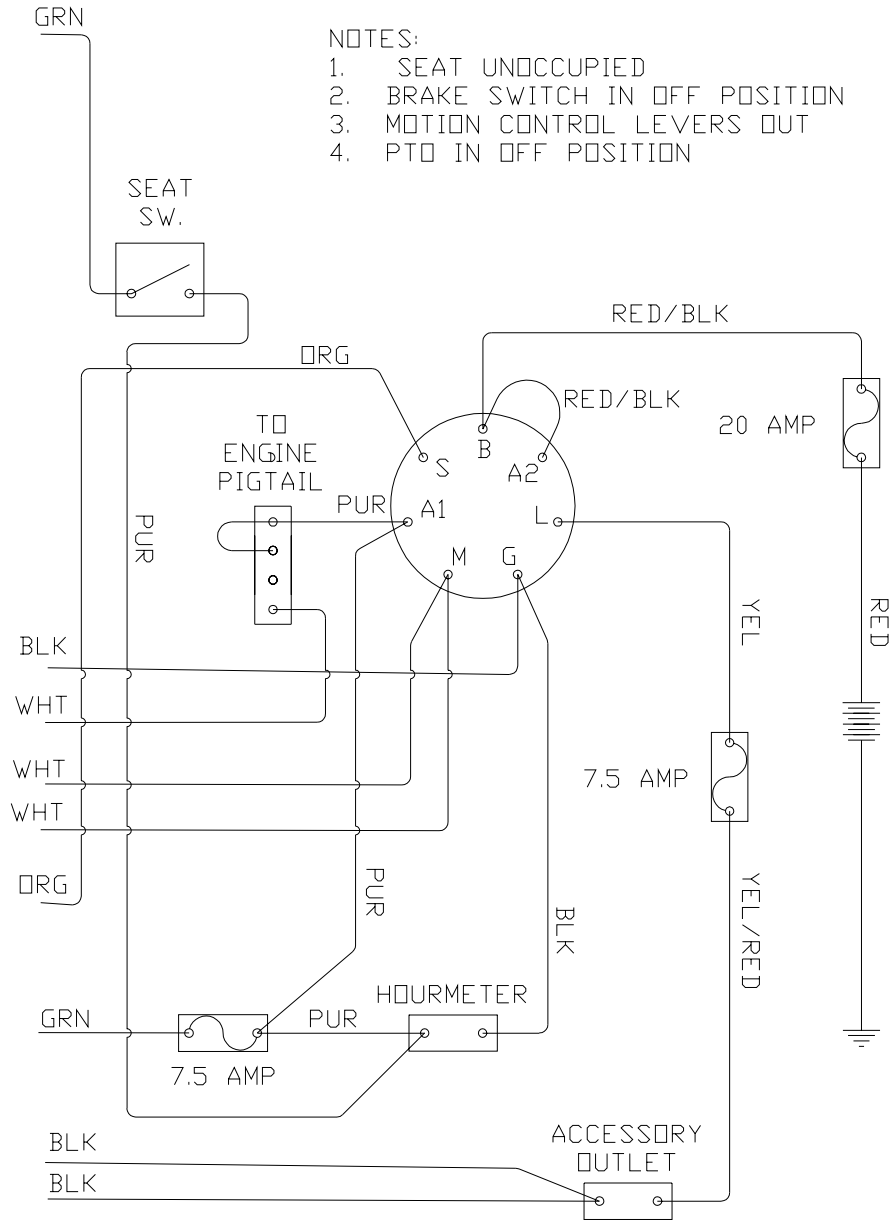
Accessory Baffle Kits



WIRING DIAGRAMS



WIRING DIAGRAMS



PARTS DESCRIPTION

539 02 02-55	WEIGHT BAR, FRONT, 52" & 61"	539 10 24-55	CLEVIS PIN
539 02 09-21	WEIGHT BAR, FRONT, 72"	539 10 25-02	STUD
539 09 70-76	HOSE CLAMP 6"-& 7"	539 10 25-15	GRIP
539 10 01-28	DECAL, EXHAUST ON ENGINE	539 10 25-19	BUSHING
539 10 01-41	HCS, 7/16-20 X 1 1/2, GR5	539 10 25-26	HITCH PIN
539 10 01-52	KEY 1/4 SQ.	539 10 25-35	GREASE CAP
539 10 03-41	BLADE, 18"	539 10 25-43	BEARING W/CUP
539 10 04-13	RHSNB, 3/8-16 X 1 1/4, GR5	539 10 25-63	LANYARD
539 10 04-72	RHSNB, 5/16C X 1 1/4	539 10 25-82	WHIZ NUT, 7/16C
539 10 10-50	GRIP	539 10 25-87	BUMPER
539 10 10-58	SPRING	539 10 25-92	GRIP
539 10 10-80	SWITCH, N.C.	539 10 25-93	WASHER, 3/8, SPRING
539 10 11-51	RETAINING RING, 7/8	539 10 26-06	FILTER
539 10 11-65	FILTER HEAD	539 10 26-12	HCS, 3/8-16 X 2 3/4, GR5
539 10 11-73	LUG NUT 1/2F	539 10 26-17	#10-24 X 7/8 SCREW
539 10 11-75	HCS, 7/16-14 X 1 1/2, GR5	539 10 26-19	STRUT PIN, 52"/61" DECKS
539 10 11-76	PULLEY	539 10 26-41	LIFT CHAIN
539 10 11-77	KEY 5mm SQ.	539 10 26-43	ANTI-SCALP ROLLER
539 10 12-02	CAP, HYDRAULIC	539 10 26-50	HOSE BARB
539 10 12-32	FLANGE BUSHING	539 10 26-78	TAPPED PLATE
539 10 12-37	F6400-8-8-0	539 10 26-79	FUEL VALVE
539 10 12-38	F6801-6-6-0	539 10 26-85	LOOM CLIP
539 10 13-31	NUT, 1/2C, NYLOC	539 10 26-91	FLANGETTE
539 10 13-32	HCS, 1/2C X 2 3/4	539 10 26-98	BUSHING
539 10 13-63	CLAMP	539 10 27-32	THROTTLE CABLE
539 10 14-74	ZERK	539 10 27-33	CHOKE CONTROL
539 10 14-85	BLADE, MULCH, 18"	539 10 27-44	RIVET, 3/16 X 1/4
539 10 17-14	SOLINOID	539 10 27-54	HCS, 3/8-16 X 3 1/2, GR8
539 10 17-21	HCS, 5/16-18 X 2 3/4, GR5	539 10 27-57	CABLE, POSITIVE
539 10 17-33	BLADE, 21"	539 10 27-58	NEGITIVE CABLE
539 10 17-68	PTO SWITCH	539 10 27-59	INSULATOR
539 10 17-71	7.5 AMP 32V ATO FUSE	539 10 28-17	SPRING
539 10 18-02	7/8 E - RING	539 10 28-22	BRAKE BAND
539 10 18-81	DECAL, PROP 65	539 10 28-45	SPRING
539 10 19-49	E-RING, 1/2"	539 10 28-51	SEAL
539 10 19-82	EYE BOLT	539 10 28-52	NUT 1.0 CASTLE
539 10 20-49	CLEVIS PIN	539 10 28-77	CLAMP
539 10 20-67	KEY, 1/4" SQ. X 3/4"	539 10 28-89	COTTER PIN 1/8 X 2
539 10 20-86	20.0 AMP 32V ATO FUSE	539 10 29-14	RELAY
539 10 20-93	BLADE, MULCH, 21"	539 10 29-98	FRICTION WASHER
539 10 22-36	SUPPORT PLATE	539 10 30-03	KNOB
539 10 22-43	SUPPORT WASHER	539 10 31-14	7/8 "O" RING
539 10 22-44	BUSHING, MACHINE, 18 GA	539 10 31-15	3/4 "O" RING
539 10 23-35	HCS 5/16 X 4.0	539 10 31-17	3/8 "O" RING
539 10 23-96	FITTING, STRAIGHT	539 10 31-18	3/8 "O" RING FLARE
539 10 24-15	HUB W/BRAKE DRUM	539 10 31-19	3/8 "O" RING FLARE
539 10 24-36	12V BATTERY, DRY	539 10 32-30	IDLER ARM
539 10 24-54	E-RING, 3/4	539 10 32-56	SPRING
		539 10 32-57	IDLER PULLEY
		539 10 32-58	IDLER PULLEY (TALL)
		539 10 32-95	IDLER BUSHING
		539 10 32-99	HCS, 5/8-18 X 1 1/4, GR5

PARTS DESCRIPTION

539 10 33-00	ZERK	539 10 50-44	BEARING, BRONZE
539 10 33-03	PAD	539 10 50-50	LIFT LINKAGE
539 10 33-16	F6400-6-6-0	539 10 50-59	LANYARD
539 10 33-33	DECAL, MOTION CONTROL	539 10 50-60	CLEVIS PIN
539 10 34-27	PIVOT BUSHING	539 10 50-69	5/8 E - RING
539 10 34-33	HCS, 1/2C X 3 1/4, GR5	539 10 50-71	DECAL, NASCAR
539 10 35-34	PIN MT., UPPER	539 10 51-52	TIRE
539 10 35-47	WASHER, 1/4	539 10 51-67	COOLER
539 10 42-88	COTTER PIN	539 10 51-68	CAP
539 10 43-10	CONN. LINK	539 10 51-69	KNOB
539 10 43-21	ADJ. PLATE WLDMT.	539 10 51-81	LIFT PEDAL
539 10 43-23	ADJ. PLATE PAINTED	539 10 51-84	TIGHTING PLATE
539 10 43-27	MOTOR STANDOFF	539 10 51-87	ANTI-SKID PAD
539 10 43-32	CROSS SHAFT	539 10 51-92	SPRING
539 10 43-34	PUMP BELT	539 10 52-32	DECAL, ANTI SCALP
539 10 43-35	52" DECK BELT	539 10 52-46	WATER TEMP. GAUGE
539 10 43-36	61" DECK BELT	539 10 52-47	GAUGE HARNESS
539 10 43-46	BRAKE BRACKET, LEFT	539 10 52-77	CASTLE NUT
539 10 43-47	BRAKE BRACKET, RIGHT	539 10 52-78	WOODRUFF KEY
539 10 43-88	IDLER ARM	539 10 52-79	TRACKING LINKAGE
539 10 43-90	STRUT, 52"/61" DECKS	539 10 52-80	FUEL LINE
539 10 44-09	FUEL TANK LT.	539 10 52-81	FUEL LINE KAWASAKI
539 10 44-10	FUEL TANK RT.	539 10 53-00	KOHLER PIGTAIL L/C
539 10 44-11	KNOB W/STUD	539 10 53-01	DECAL, MOBIL
539 10 44-15	KAWASAKI PIGTAIL	539 10 54-06	CLUTCH
539 10 44-16	KOHLER PIGTAIL	539 10 54-08	WASHER, #10
539 10 45-21	STRUT SPACER,	539 10 54-09	GROUND WIRE
539 10 45-23	PIN	539 10 54-10	ENGINE MOUNT
539 10 45-25	SEAT ROD	539 10 54-22	HCS 3/8-16 X 6, GR8
539 10 45-30	DECK LIFT SPACER	539 10 54-76	BLADE, 25"
539 10 47-22	HOSE	539 10 54-77	72" DECK BELT
539 10 47-23	T. ASM.	539 10 54-80	STRUT PIN, 72" DECK
539 10 47-60	DECK LIFT SPRING	539 10 54-86	REAR TIRE ASM (61" & 72" MODELS)
539 10 47-61	ZERK - LONG	539 10 54-87	RIM 2.5"
539 10 47-63	"U" CLIP, 5/16C	539 10 55-17	HCS 1/2 X 9.5
539 10 48-07	SUPPORT PLATE	539 10 55-18	AXLE SPACER
539 10 48-08	PILLOW BLOCK	539 10 55-21	TIRE ASM.
539 10 48-96	HOSE	539 10 55-22	TIRE
539 10 48-97	TANK SPACER	539 10 55-23	RIM
539 10 48-98	DECAL, HEIGHT	539 10 55-24	SEAL
539 10 48-99	DECAL, HEIGHT	539 10 55-25	TAPERED BEARING
539 10 49-58	ISOLATOR	539 10 55-32	SCREW, 1/4-20, TAPPING
539 10 49-59	WASHER	539 10 56-37	CLUTCH PIGTAIL
539 10 49-74	POSITIVE CABLE	539 10 57-16	IDLER COVER
539 10 49-80	FUEL LINE KOHLER	539 10 57-28	BATTERY HOLD DOWN
539 10 50-11	DECAL, SERVICE	539 10 57-43	DECAL, NO STEP
539 10 50-12	DECAL, BELT ROUTING	539 10 57-44	DECAL, DANGER BELT DRIVES
539 10 50-24	OIL TANK	539 10 57-45	DECAL, BATTERY
539 10 50-25	ENGINE MOUNT	539 10 57-46	DECAL, WARNING
539 10 50-36	GRIP	539 10 57-85	DECAL, WARNING
539 10 50-38	SEAT BRACKET		
539 10 50-39	STUD/PLATE MOUNT		

PARTS DESCRIPTION

539 10 58-95	CASTER ASSEMBLY	539 10 87-66	HCS, 7/16-20 X 1 1/2, GR5, SPEC.
539 10 58-96	MUFFLER	539 10 87-73	SPINDLE ASM.
539 10 58-97	MUFFLER	539 10 89-51	HCS, 7/16-20 X 2 1/2, GR5, SPEC.
539 10 59-05	HCS 7/16 X 1.0 GD 8	539 10 94-28	DISCHARGE CHUTE, 72"
539 10 59-68	MUFFLER GUARD	539 10 94-93	61 BELT SHIELD, RIGHT
539 10 59-74	RUBBER GROMMET	539 10 94-94	61 BELT SHIELD, LEFT
539 10 59-82	CASTER YOKE	539 10 96-52	52 BELT SHIELD, RIGHT
539 10 60-57	PULLEY	539 10 96-53	52 BELT SHIELD, LEFT
539 10 60-67	HYDRAULIC LINE	539 10 96-60	DRAW LATCH
539 10 61-88	FUEL CAP	539 10 96-93	LIFT CHAIN - 3 LINK
539 10 65-04	WASHER, HEAVY	539 10 99-01	OVER CENTER BAND
539 10 65-32	PIN, GROOVED	539 10 99-58	PUMP
539 10 67-13	SHEAVE, 4"	539 11 00-33	WASHER, #10
539 10 67-21	IDLER	539 11 00-74	HOUR METER
539 10 67-41	DECAL, SERVERING	539 11 00-93	OIL DRAIN FITTING
539 10 67-86	BEARING	539 11 04-33	GROMMET
539 10 67-91	HCS, 3/8C X 1, GR8	539 11 06-03	ROD END, SPHERICAL, R.H.
539 10 67-93	SUPPORT BRACKET	539 11 06-04	ROD END, SPHERICAL, L.H.
539 10 67-94	BAND PIVOT	539 11 06-06	DAMPENER
539 10 68-19	CLUTCH TIE DOWN	539 11 06-07	BALL STUD
539 10 69-33	FILTER BRACKET	539 11 06-20	BRAKE BELLCRANK
539 10 69-61	STRAP	539 11 06-24	SHAFT
539 10 72-77	52 PULLEY	539 11 06-25	TRUNION
539 10 72-78	PULLEY	539 11 06-26	YOKE W/SHAFT
539 10 72-79	PULLEY	539 11 06-27	BRAKE ROD
539 10 74-76	BOLT, 3/8C X 1, THREAD FORMING	539 11 06-28	BRAKE YOKE
539 10 75-41	IGNITION SWITCH ASSY.	539 11 06-31	ROLL PIN, 5/16
539 10 75-44	KEY, PADDED	539 11 06-32	REAR TIRE ASM (52" MODELS)
539 10 76-27	CAP SLEEVE	539 11 06-36	CONTROL, RIGHT
539 10 79-37	OIL DRAIN HOSE	539 11 06-37	CONTROL, LEFT
539 10 80-96	SPRING RETAINER	539 11 06-38	ARM, CONTROL SHAFT
539 10 81-20	NUT, 1/4C, THIN NYLOC	539 11 06-43	T. ASM.
539 10 83-22	LEVER W/LDMT.	539 11 06-44	SEAT LATCH
539 10 83-54	LIFT SHAFT, REAR	539 11 06-45	SPRING, TORSION
539 10 83-55	LIFT SHAFT, FRONT	539 11 06-46	SEAT LATCH ROD
539 10 83-69	HCS, 1/2-13 X 1 1/4	539 11 07-10	52" BAFFLE, LEFT
539 10 83-94	HCS, 5/16C X 1 3/4, TAP	539 11 07-12	52" BAFFLE, RIGHT
539 10 84-49	BOTTOM DUST CAP	539 11 07-14	52" MULCH CAP
539 10 84-50	TOP DUST CAP	539 11 07-15	61" BAFFLE, LEFT
539 10 84-61	SCREW, 1/4, SELF TAPPING	539 11 07-17	61" BAFFLE, RIGHT
539 10 86-16	BRAKE LEVER	539 11 07-19	61" MULCH CAP
539 10 86-19	BUSHING	539 11 07-20	72" BAFFLE, LEFT
539 10 86-56	61" BELT	539 11 07-22	72" BAFFLE, RIGHT
539 10 87-36	NUT, 1/2-20, HEX JAM	539 11 07-24	72" MULCH CAP
539 10 87-45	SWITCH/SNAP MOUNT KIT	539 11 07-33	DISCHARGE CHUTE, 52"
539 10 87-54	SHAFT SEAL	539 11 07-34	DISCHARGE CHUTE, 61"
539 10 87-58	TOP & BOTTOM SPACER	539 11 07-35	SPRING, TORSION
539 10 87-60	SPINDLE	539 11 07-36	PIN, CLEVIS, 5/16 X 5 3/16
539 10 87-61	SPINDLE	539 11 07-37	SPRING, TORSION, 72"
		539 11 07-39	PIN, CLEVIS, 5/16 X 4 11/16
		539 11 07-40	RIVET, BLIND, DOME STYLE, 5/32 DIA.
		539 11 07-43	72 BELT SHIELD, RIGHT

PARTS DESCRIPTION

539 11 07-44	72 BELT SHIELD, LEFT	539 11 11-84	BELT GUIDE
539 11 07-45	BLADE, MULCH, 25"	539 11 11-86	SCREW, #10-24 X 1 1/8, MACH.
539 11 07-46	STRUT, 72" DECK	539 11 11-87	NUT, 1/2-13, WHIZLOCK
539 11 08-13	RETAINER, 1/4C, "U" TYPE	539 11 11-90	LATCH
539 11 08-14	TANK MOUNT	539 11 11-91	SPRING
539 11 08-15	PUSH WIRE CLIP	539 11 11-92	HAIRPIN
539 11 08-16	SEAT MOUNT	539 11 11-97	REAR GUARD
539 11 08-19	CLEVIS PIN, 3/8	539 11 11-99	HITCH BRACKET, LEFT
539 11 08-23	WHEEL MOTOR	539 11 12-06	HITCH PIN
539 11 08-26	DRIVE LEVER, RIGHT	539 11 12-07	TURNBUCKLE, 1/2"
539 11 08-27	DRIVE LEVER, LEFT	539 11 12-08	SUPPORT LINKAGE, LH
539 11 08-33	CONTROL SHAFT	539 11 12-10	SUPPORT LINKAGE
539 11 09-43	NUT, 5/16F, NYLOC	539 11 12-12	DECAL, HOT SURFACE
539 11 09-50	FRAME HARNESS	539 11 12-15	SUPPORT BRACKET
539 11 09-56	DECAL, CONSOLE	539 11 12-18	IDLER ARM
539 11 09-74	DECAL, H.S.T.	539 11 12-20	BLOWER HOUSING
539 11 09-76	ENGINE GUARD	539 11 12-25	FLOOR WELDMENT
539 11 09-79	F6803-6-6-6-NWO	539 11 12-27	BEARING PLATE
539 11 09-80	HOSE	539 11 12-28	PULLEY SHIELD
539 11 10-26	SEAT BELT	539 11 12-29	SCREW, 1/4-20 X 5/8, BTN, SKT HD
539 11 10-36	LANYARD W/PIN, 1/2"	539 11 12-40	BLOWER DECK PLATE, 61"
539 11 10-39	SPRING	539 11 12-56	PULLEY, STACKED DOUBLE, 52"
539 11 10-46	DECAL, HUSQVARNA	539 11 12-57	PULLEY, STACKED DOUBLE, 61"
539 11 10-55	DECAL, HUSQVARNA	539 11 12-59	WEIGHT KEEPER
539 11 10-74	DAMPENER BRACKET	539 11 12-60	DECAL, VENTILATION
539 11 10-75	DECK STOP	539 11 12-64	BLOWER DECK PLATE, 52"
539 11 11-17	DECAL, LZ5225	539 11 12-65	KEEPER, IDLER
539 11 11-18	DECAL, LZ6125	539 11 12-67	BRACKET, SUPPORT
539 11 11-19	DECAL, LZ6123	539 11 12-70	PIN
539 11 11-20	DECAL, LZ6127	539 11 12-73	BELT SHIELD W/DECALS & LATCH, 52"
539 11 11-21	DECAL, LZ7227	539 11 12-74	BELT SHIELD W/DECALS & LATCH, 61"
539 11 11-43	FRAME 52" & 61"	539 11 12-87	HOSE, 58", MODEL HCS13
539 11 11-44	FRAME 72" MODEL	539 11 13-06	BELT
539 11 11-47	CONSOLE W/DECAL	539 11 13-07	BELT
539 11 11-49	RIM (OFFSET 1")	539 11 13-13	HOLD DOWN, WEIGHT BAR
539 11 11-55	HITCH	539 11 13-14	HOSE, 54", MODEL HCS9
539 11 11-57	MOUNT Z BRACE	539 11 13-22	HITCH BRACKET, RIGHT, W/DECAL
539 11 11-58	SUPPORT, OUTER	539 11 13-27	BAFFLE, FRONT, RIGHT
539 11 11-62	SUPPORT ARM	539 11 13-28	BLOWER DECK PLATE, 72"
539 11 11-64	HANGER, BAG	539 11 13-31	FAN COVER
539 11 11-66	TUBE, BAG FRAME	539 11 13-32	FAN WELDMENT
539 11 11-67	SEAL, RUBBER	539 11 13-39	HOOD SUPPORT, REAR
539 11 11-68	BAG, LARGE, MODEL HCS13	539 11 13-40	BLOWER SUPPORT
539 11 11-71	SEAL STRAP	539 11 13-44	PULLEY, STACKED DOUBLE, 72"
539 11 11-72	HOOD	539 11 13-77	52" DECK W/DECALS
539 11 11-74	HOOD SUPPORT	539 11 13-78	61" DECK W/DECALS
539 11 11-75	SUPPORT, DRAW LATCH	539 11 13-79	72" DECK W/DECALS
539 11 11-77	HOOD HINGE	539 11 14-44	ROPS, COMPLETE W/SEAT BELT
539 11 11-81	MOUNT PLATE	539 11 15-61	DECAL, TUNNELRAM
539 11 11-82	INLET TUBE	539 11 15-74	FOOT PLATE W/DECAL
539 11 11-83	MESH, POLY DIAMOND	539 11 15-75	DECAL, WARNING

PARTS DESCRIPTION

539 11 15-81	GAUGE BRACKET	539 99 01-55	NUT, 3/8F
539 11 15-97	DECAL, RELAYS	539 99 01-84	NUT, 5/16C, CENTERLOCK
539 11 16-10	61" FRONT BAFFLE, RIGHT	539 99 01-87	WASHER 5/16 LOCK
539 11 16-13	61" FRONT BAFFLE, LEFT	539 99 01-88	WASHER, 5/16, SAE
539 11 16-15	52" FRONT BAFFLE, RIGHT	539 99 01-88	WASHER, 5/16, SAE
539 11 16-17	52" FRONT BAFFLE, LEFT	539 99 01-96	NUT, 5/16C
539 11 16-27	72" FRONT BAFFLE, RIGHT	539 99 02-08	RHSNB, 5/16-18 X 1, GR5
539 11 16-29	72" FRONT BAFFLE, LEFT	539 99 02-09	HCS 5/16C X 1
539 11 17-46	BLOWER HOUSING - 72"	539 99 02-23	NUT, 5/16
539 11 17-47	PULLEY SHIELD - 72"	539 99 02-47	LOCKWASHER, 7/16
539 11 17-51	BELT SHIELD W/DECALS & LATCH, 72"	539 99 02-54	LOCKWASHER, 1/2
539 11 17-52	BELT, 72"	539 99 02-58	NUT, 1/2C
539 11 19-19	COOLER BRACKET FRONT	539 99 03-16	RHSNB, 5/16-18 X 5/8, GR5
539 11 19-20	COOLER BRACKET BACK	539 99 03-33	LOCKWASHER, 5/8
539 11 19-21	SKT, 1/4-20 X 1/2	539 99 03-62	1/4 x 5/8 SELF TAP
539 11 19-46	SEAT, COMPLETE	539 99 03-65	PIN, COTTER, 1/8 X 3/4
539 11 20-34	HCS, 7/16-20 X 3/4	539 99 04-11	HCS # 10 X 1/2
539 11 20-35	ARM REST KIT, RIGHT	539 99 05-17	WASHER, 3/8
539 11 20-36	ARM REST KIT, LEFT	539 99 05-46	NUT, 3/8C, CENTERLOCK
539 11 20-37	TRACK ADJUSTMENT KIT	539 99 05-50	WASHER, 1/2
539 11 26-34	SKID PLATE	539 99 05-63	HCS, 3/8-16 x 1, GR5
539 20 01-00	NUT, 1/2-13, CENTERLOCK	539 99 05-80	HCS, 1/4-20 X 3/4
539 20 02-82	NUT, 3/8-16, JAM NYLOC	539 99 05-82	HCS, 3/8C X 1, SER.
539 20 04-78	DRAW LATCH, FLEXIBLE T-HANDLE	539 99 05-85	NUT, 5/16C
539 20 06-84	RIVET, 1/4 STAVEX	539 99 05-98	WASHER, 1/4
539 88 03-16	RHSNB, 5/16 X 3/4	539 99 06-13	NUT, 3/8C, WHIZ
539 91 22-22	HOSE CLAMP	539 99 06-22	HFS, 1/2-13 X 1 1/2
539 91 22-34	AIR VALVE	539 99 06-25	NUT, 1/2, JAM
539 91 30-10	DECAL, DANGER	539 99 06-27	HCS, 5/16-18 X 1 1/4, GR5
539 91 61-59	SPRING	539 99 06-37	HCS 3/8C X 2.5
539 92 20-91	FUEL LINE	539 99 06-45	RHSNB, 3/8-16 X 1
539 92 37-87	BUSHING, MACHINE	539 99 06-54	COTTER PIN, 5/32 X 1 1/4
539 97 66-88	IDLER PULLEY	539 99 06-55	HCS, 3/8-16 X 1 1/2
539 97 66-95	IDLER BUSHING	539 99 06-69	HCS 5/16 X 1.75
539 97 69-34	HCS 5/16-18 X 3/4, GR5	539 99 06-92	WASHER 5/16 FLAT
539 97 69-34	HCS, 5/16-18 X 3/4, GR5	539 99 07-17	NUT, 5/16C, NYLOC
539 97 69-37	HCS 5/16 X 2.0	539 99 07-30	HCS, 3/8-16 X 1 3/4, GR5
539 97 69-41	HCS, 3/8-16 X 1 1/4, GR5	539 99 07-61	NUT 1/4C CTR. LOCK
539 97 69-52	SCREW, #10-24 X 5/8, MACH.	539 99 08-70	RETAINING RING
539 97 69-66	HOSE CLAMP	539 99 10-03	HCS, 1/4-20 X 1 3/4
539 97 69-77	NUT, #10-24, NYLOC	539 99 10-34	SELF TAPPING SCREW
539 97 69-78	NUT, 1/4C, NYLOC	539 99 10-43	MACH. BUSHING
539 97 69-79	NUT, 3/8C, NYLOC	539 99 10-73	NUT, 5/16, JAM, LH
539 97 69-82	5/8 SAE WASHER	539 99 11-20	HCS 7/16F X 2.5
539 97 69-88	HAIR PIN	ER92531	CAST COUNTERWEIGHT
539 97 69-89	HAIRPIN #4		
539 97 69-98	ZERK		
539 97 72-50	SPRING		
539 97 73-26	GREASE POPPET		
539 97 74-65	YOKE, 3/8F		
539 97 77-03	CLEVIS PIN, 3/8 X 1 1/8		

